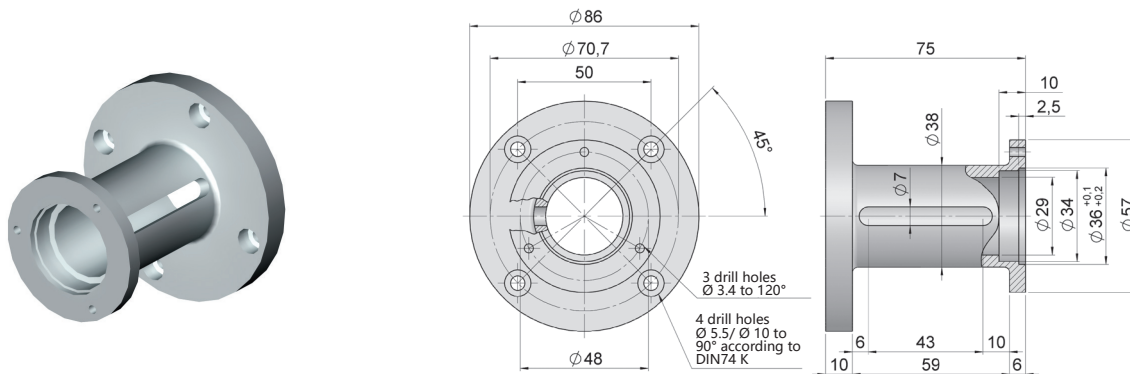


COUPLING BELLS

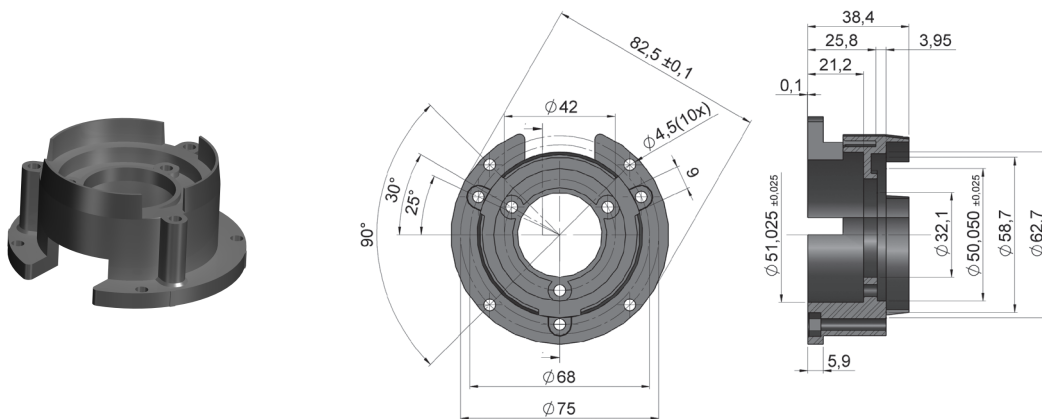


Code	Appropriate series	Suitable securing screws
90.1600	10, 20, 11, CM10, CS10	3 M3 x 6 DIN84, DIN85, DIN7985, DIN7984
90.1608	10+flange 90.1003, E58	3 M3 x 8 DIN84, DIN85, DIN7985, DIN7984
90.1609	10, 20, 11, CM10, CS10	3 M3 x 6 DIN84, DIN85, DIN7985, DIN7984
90.1610	10K, E58KCS	7 M4x25 EHEDG, 7 M4 SEALING WASHER EHEDG
90.1619	10, 20, 11, CM10, CS10	3 M3 x 6 DIN84, DIN85, DIN7985, DIN7984

90.1600

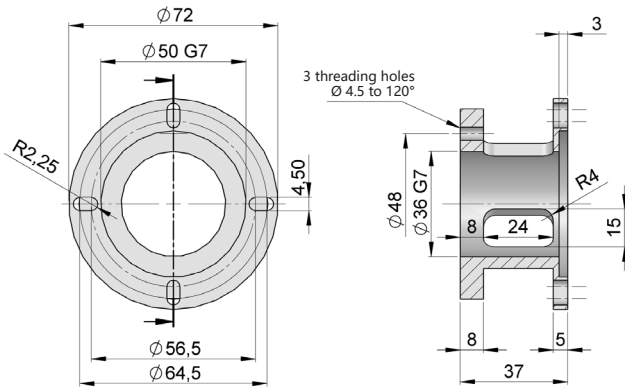
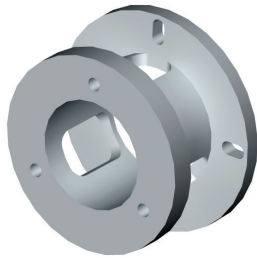


90.1608

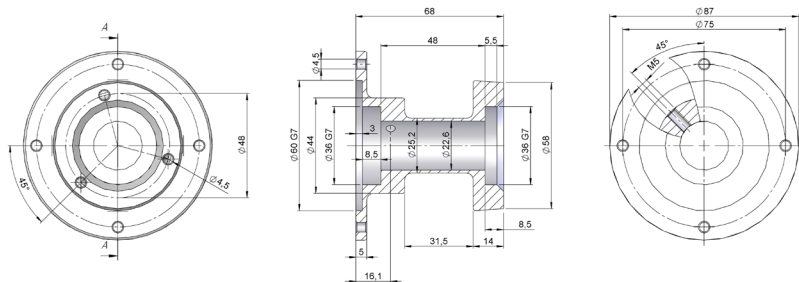
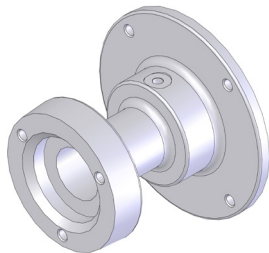


COUPLING BELLS

90.1609



90.1610



90.1619

