

DREHMOMENTSTÜTZE

DREHMOMENTSTÜTZE FLEXIBEL



Referenz	Geeignete serien	Befestigungs-schrauben
90.1014	19, 50H, 59, 59S, PR90H	5 M4 x 6 DIN912, DIN84
90.1018	19, 50H, 59, 59S, PR90H, E58HS, E58HM, SMRS19, SMRS59, SMRS59S	3 M4 x 6 DIN912, DIN84
90.1020	19, 50H, 59, 59S, PR90H, 64, E58HS, E58HM, SMRS19, SMRS59, SMRS59S	3 M4 x 6 DIN912, DIN84
90.1024	19, 50H, 59, 59S, PR90H, 64, E58HS, E58HM, SMRS19, SMRS59, SMRS59S	3 M4 x 6 DIN912, DIN84
90.1025	77, 80	5 M4 x 6 DIN912, DIN84
90.1026	64	3 M4 x 6 DIN912, 3 M4 DIN127
90.1027	19, 59, 59S, PR90H, 64, 64S, 66, SMRS19, SMRS59, SMRS59S, SMRS64, SMRS64S	4 M3 x 6 DIN7985, 4 M3 DIN127B
90.1036	22, 22H, E36HM, E36HS	2 M2,5 x 5 DIN7985, 2 M2,5 DIN6798A
90.1037	22, 22H, E36HM, E36HS	2 M2,5 x 5 DIN7985, 2 M 2,5 DIN6798A
90.1038	SMRS 64	4 M2,5 x 6 DIN912, 4 M2, 60 DIN127B
90.1039	64, 64S, SMRS64, SMRS64S	2 M3 x 6 DIN912, 2 M3 DIN127B
90.1040	19, 59	-
90.1041	64, 64S, 66, 77, 80	1 M3 x 6 DIN912, 1 M3 DIN127
90.1045	19, 59, 59S, PR90H, 64, 64S, 66, E58HS, E58HM, SMRS19, SMRS59, SMRS59S, SMRS64, SMRS64S	4 M3 x 6 DIN7985, 4 M3 DIN127
90.1046	64, 64S, SMRS19, SMRS59, SMRS59S, SMRS64, SMRS64S	2 M3 x 6 DIN912, 2 M3 DIN127
90.1071	64, 64S, SMRS19, SMRS59, SMRS59S, SMRS64, SMRS64S	2 M3 x 6 DIN7985, 2 M3 DIN127
90.1072	64, 64S, SMRS19, SMRS59, SMRS59S, SMRS64, SMRS64S	2 M3 x 6 DIN7985, 2 M3 DIN127
90.1075	19, 50H, 59, 59S, PR90H, E58HS, E58HM	3 M4 x 6 DIN912, 3 M4 DIN127
90.1076	19, 50H, 59, 59S, PR90H, E58HS, E58HM, SMRS19, SMRS59, SMRS59S	2 M 4 x 6 DIN912, 2 M4 DIN127
90.1083	22, 22H, E36HS, E36HM	2 M2,5 x 5 DIN7985, 2 M 2,5 DIN6798A
90.1086	64, 64S, SMRS19, SMRS59, SMRS59S, SMRS64, SMRS64S	2 M3 x 6 DIN912, 2 M3 DIN127B
90.1095	19, 50H, 59, 59S, PR90H, 64, E58HS, E58HM, SMRS59, SMRS59S	3 M4 x 6 DIN912, 3 M4 DIN127
90.1101	64, 64S	4 M2,5 x 6 DIN912, 4 M2,60 DIN127B
90.1108	80	6 M3 x 6 DIN912, 6 M3 DIN127B
90.1109	77	6 M3 x 6 DIN912, 6 M3 DIN127B
90.1110	50H	2 M2,5 x 5 DIN7985, 2 M2,60 DIN127B
90.1111	22, 22H, E36HM, E36HS	2 M2,5 x 5 DIN7985, 2 M2,5 DIN6798A
90.1116	28, E24HS	3 M1,6 x 5 DIN7985
90.1119	77	6 M3 x 5 DIN912, 6 M3 DIN127B
90.1124	67, 67S	2 M4 x 6 DIN912
90.1129	67, 67S	2 M3x 5 DIN912, 2 M3 DIN127B
90.1132	22M	2 M3x 6 DIN7985, 2 M3 DIN6798A
93.0102085	22, 22H	2 M2,5 x 5 DIN7985, 2 M2,5 DIN6798A
93.0102086	50HI	2 M2,5 x 6 DIN912
93.0102087	22, 22H, E36HS, E36HM	2 M2,5 x 5 DIN7985, 2 M2,5 DIN6798A

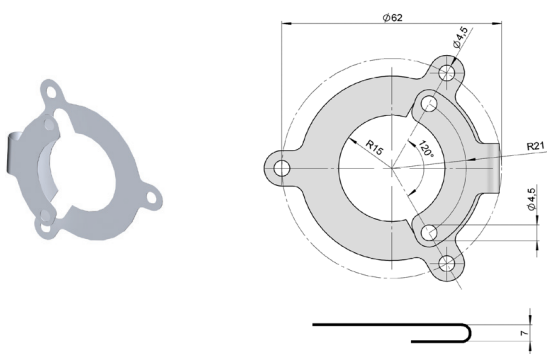


DREHMOMENTSTÜTZE

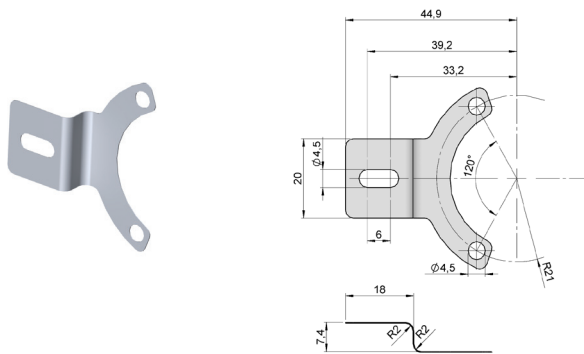
DREHMOMENTSTÜTZE FLEXIBEL

Referenz	Geeignete serien	Befestigungs-schrauben
93.0102090	19, 59, 59S, PR90H, E58HS, E58HM	4 M3x6 DIN7985, 4 M3 DIN127B
93.0102094	28	2 M 2 x 4 DIN912
93.0102112	22M	2 M3 x 5 DIN912, 2 M3 DIN127B
93.0102145	22, 22H, E36HS, E36HM	2 M 2,5 x 5 DIN7958, 2 M2,5 DIN6798A
93.0102150	22, 22H, E36HS, E36HM	2 M 2,5 x 5 DIN7958, 2 M2,5 DIN6798A

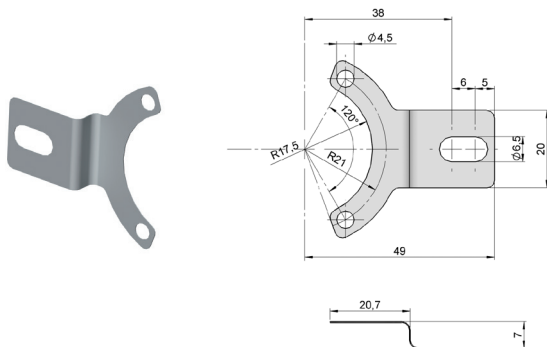
90.1014



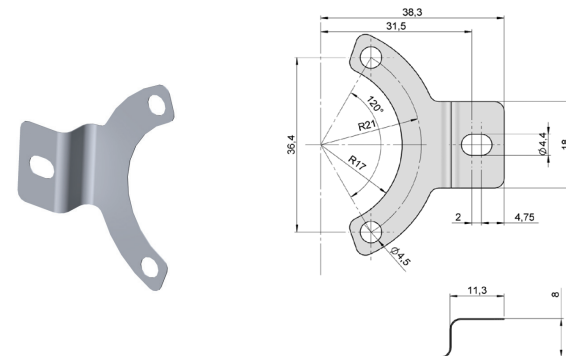
90.1018



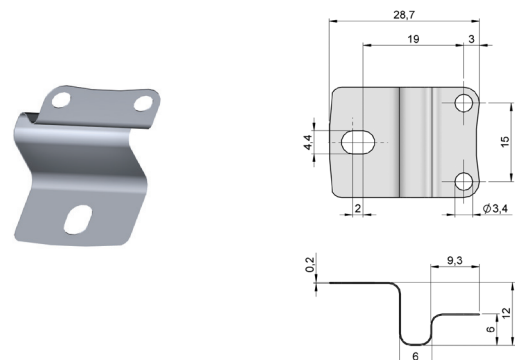
90.1020



90.1024



90.1025



90.1026

