

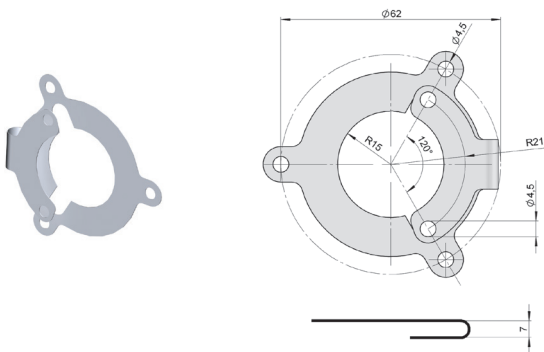
SYSTÈME ANTI-ROTATION

SYSTÈMES ANTI-ROTATION FLEXIBLES

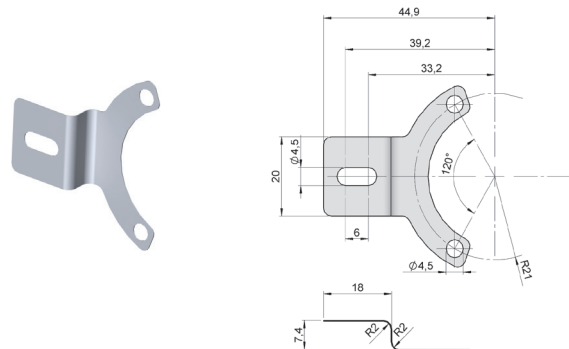


| Référence | Séries appropriées | Vis de fixation |
|-----------|---------------------------------------|--------------------------------------|
| 90.1014 | 19, 59, 59S, 50H, PR90H | 5 M4 x 6 DIN912, DIN84 |
| 90.1018 | 19, 59, 59S, 50H, PR90H | 3 M4 x 6 DIN912, DIN84 |
| 90.1020 | 19, 59, 59S, 50H, PR90H | 3 M4 x 6 DIN912, DIN84 |
| 90.1024 | 19, 59, 59S, 50H, PR90H | 3 M4 x 6 DIN912, DIN84 |
| 90.1025 | 77, 80 | 5 M4 x 6 DIN912, DIN84 |
| 90.1026 | 64, 64S | 3 M4 x 6 DIN912, 3 M4 DIN127 |
| 90.1027 | 19, 59 | 6 M4 x 6 DIN912, DIN84 |
| 90.1037 | 22, 22H, E36HM, E36HS | 2 M2,5 x 5 DIN7985, 2 M 2,5 DIN6798A |
| 90.1038 | SMRS 64 | 4 M2,5 x 6 DIN912, 4 M2, 60 DIN127B |
| 90.1040 | 19, 59 | |
| 90.1041 | 64, 64S, 66 | 1 M3 x 6 DIN912, 1 M3 DIN127 |
| 90.1045 | 66 | 4 M3 x 6 DIN7985, 4 M3 DIN127 |
| 90.1046 | 64,64S | 2 M3 x 6 DIN912, 2 M3 DIN127 |
| 90.1075 | 19, 59, 59S, 50H, PR90H, E58HM, E58HS | 3 M4 x 6 DIN912, 3 M4 DIN127 |
| 90.1095 | 19, 59, 59S | 3 M4 x 6 DIN912, 3 M4 DIN127 |
| 90.1101 | 64, 64S | 4 M2,5 x 6 DIN912, 4 M2,60 DIN127B |
| 90.1110 | 50H | 2 M2,5 x 5 DIN7985, 2 M2,60 DIN127B |
| 90.1111 | 22, 22H, E36HM, E36HS | 2 M2,5 x 5 DIN7985, 2 M2,5 DIN6798A |
| 90.1132 | 22M | 2 M 3x 6 DIN7985, 2 M3 DIN6798A |

90.1014



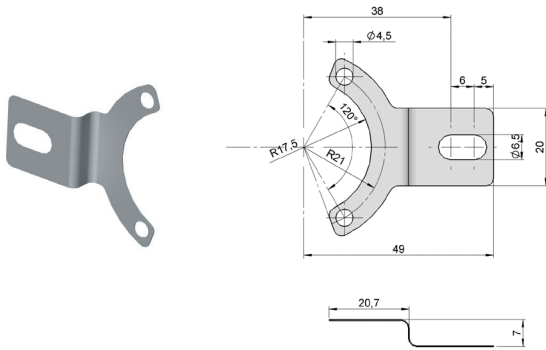
90.1018



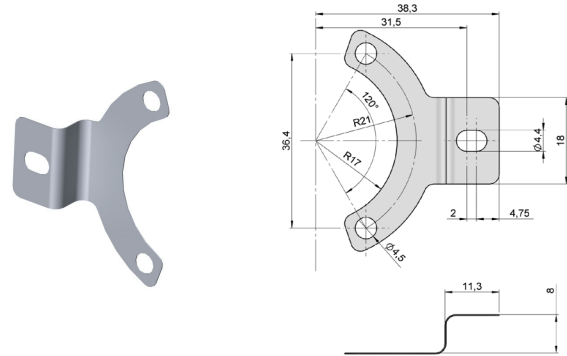
SYSTÈME ANTI-ROTATION

SYSTÈMES ANTI-ROTATION FLEXIBLES

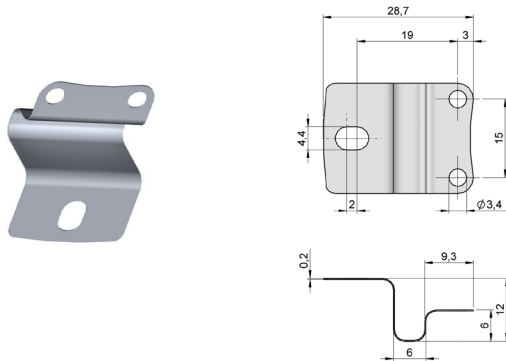
90.1020



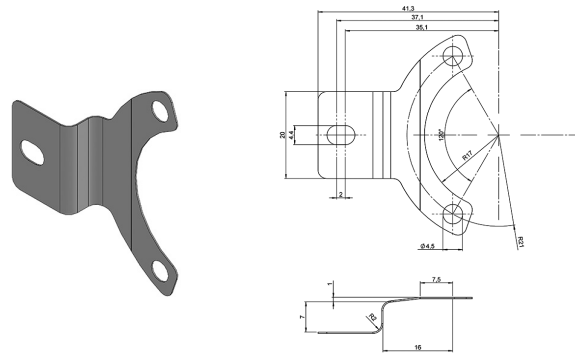
90.1024



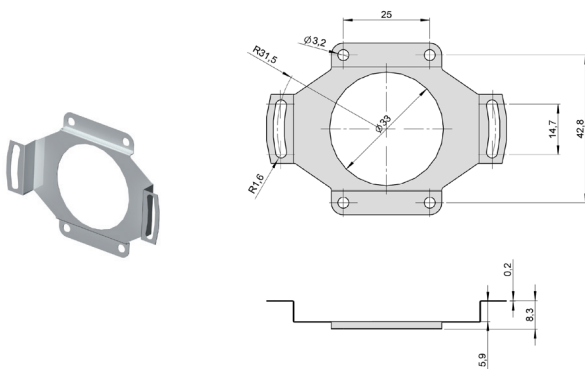
90.1025



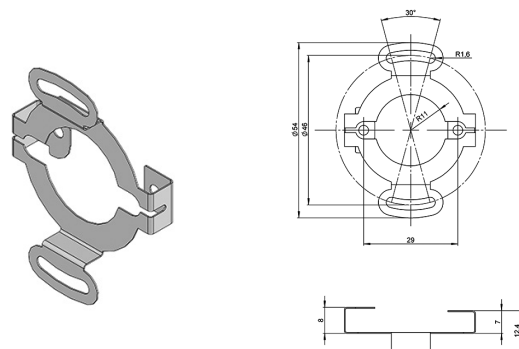
90.1026



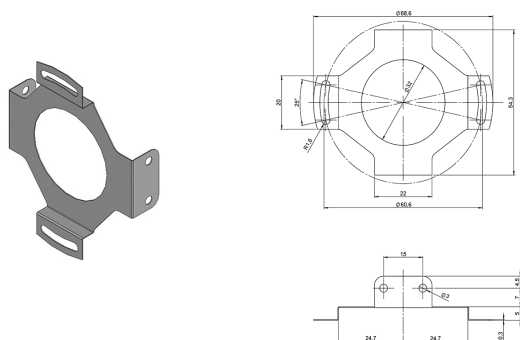
90.1027



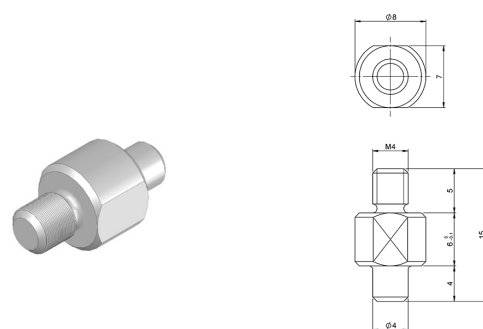
90.1037



90.1038



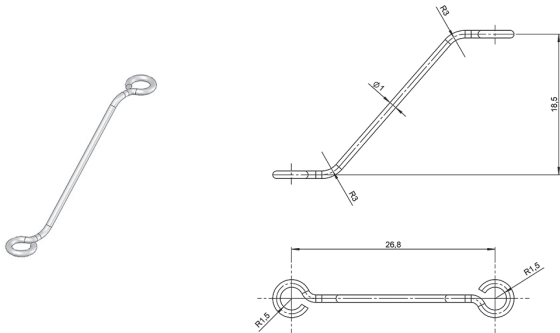
90.1040



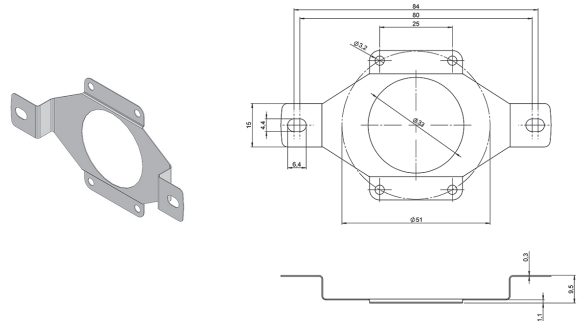
SYSTÈME ANTI-ROTATION

SYSTÈMES ANTI-ROTATION FLEXIBLES

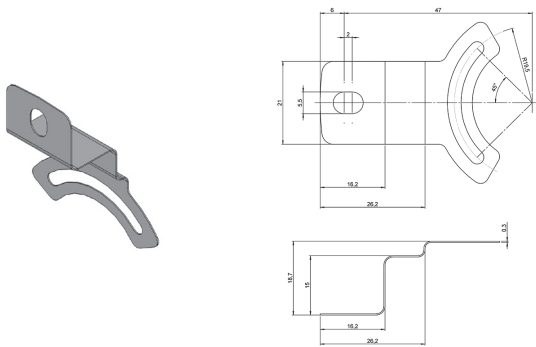
90.1041



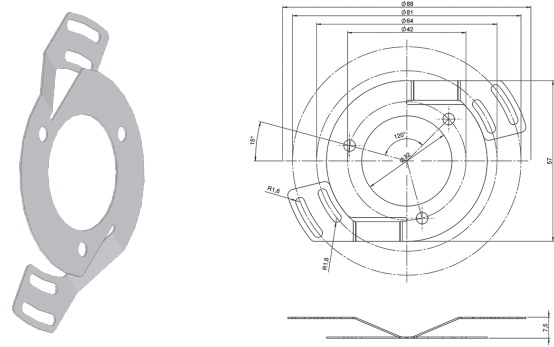
90.1045



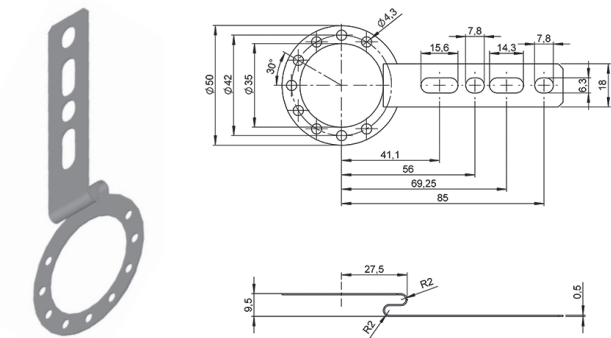
90.1046



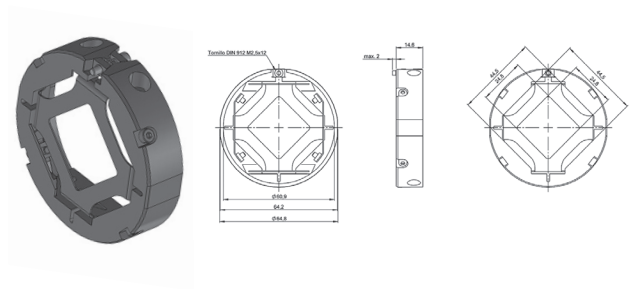
90.1075



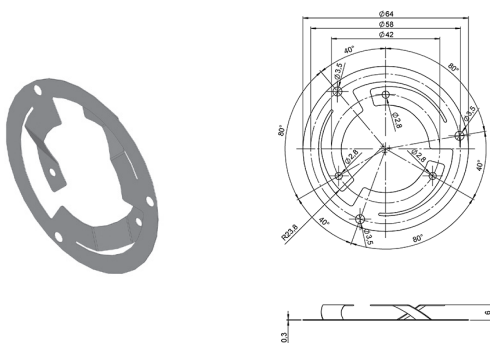
90.1095



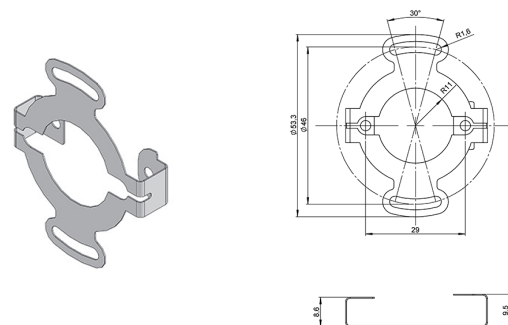
90.1101



90.1110



90.1111



SYSTÈME ANTI-ROTATION

SYSTÈMES ANTI-ROTATION FLEXIBLES

90.1132

