

# MEASURING WHEELS



## TECHNICAL SPECIFICATIONS

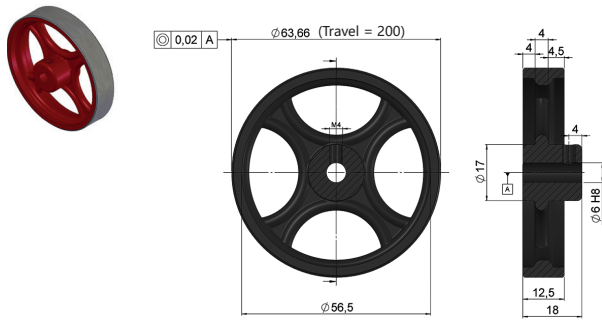
	Type	Travel mm	Diameter Ø D mm	Shaft (*) Ø d mm	Width B mm	M (DIN 916)
<b>90.9101</b>	Knurled aluminium	200	63.66	6	12	M4 x 6
<b>90.9102</b>	Knurled aluminium	305	97.08	10	12	M5 x 6
<b>90.9103</b>	Knurled aluminium	500	159.15	10	25	M5 x 6
<b>90.9107</b>	Smooth polyurethane	500	159.15	10	25	M5
<b>90.9108</b>	Smooth polyurethane	200	63.66	6	12	M4 x 6
<b>90.9110</b>	Knurled aluminium	200	63.66	6	12	M4 x 6
<b>90.9111</b>	Rubber	200	63.66	6	12	M4 x 6
<b>90.9112</b>	Studded polyurethane	200	63.66	6	12	M4 x 6
<b>90.9113</b>	Rubber	500	159.15	10	25	M5 x 6
<b>90.9114</b>	Corrugated polyurethane	500	159.15	10	25	M5
<b>90.9115</b>	Corrugated polyurethane	200	63.66	6	12	M4 x 6
<b>90.9117</b>	Smooth polyurethane	300	95.49	10	12	M5 x 6
<b>90.9119</b>	Rubber	200	63.66	6	20	M4 x 5
<b>90.9122</b>	Smooth polyurethane	305	97.08	10	12	M5 x 6
<b>90.9123</b>	Studded polyurethane	305	97.08	10	12	M5 x 6
<b>90.9124</b>	Corrugated polyurethane	305	97.08	10	12	M5 x 6
<b>90.9150</b>	Studded polyurethane	500	159.15	10	25	M5
<b>90.9175</b>	Knurled aluminium	500	159.15	10	25	M5

(\*) Other shaft diameters available. For example code for wheel 90.9113 with 6 mm shaft: 90.9113.6

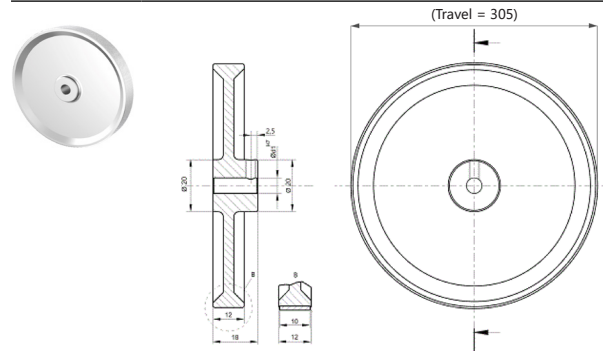


# MEASURING WHEELS

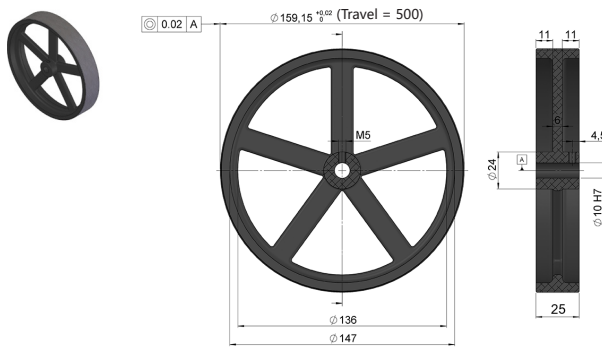
90.9101



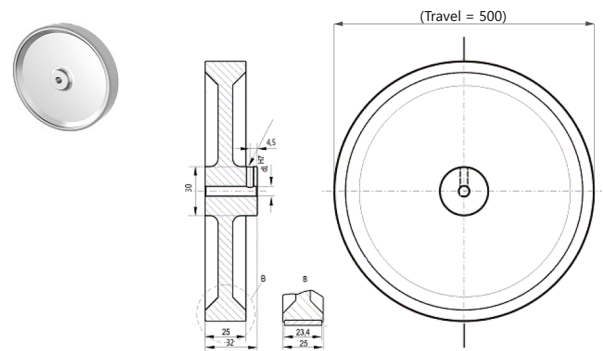
90.9102



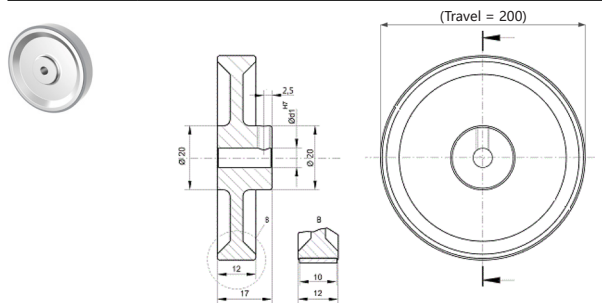
90.9103



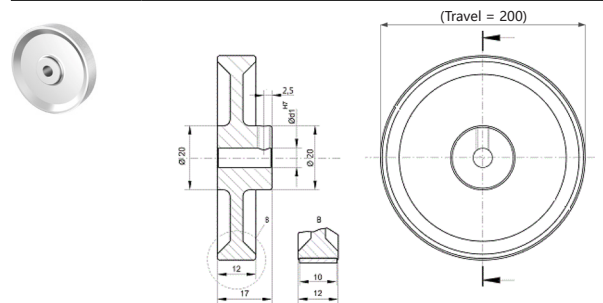
90.9107



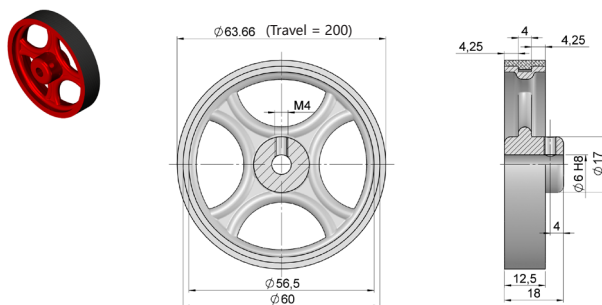
90.9108



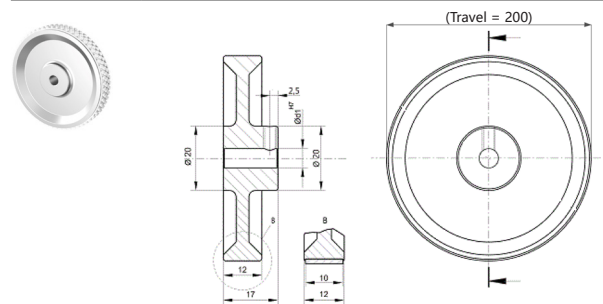
90.9110



90.9111

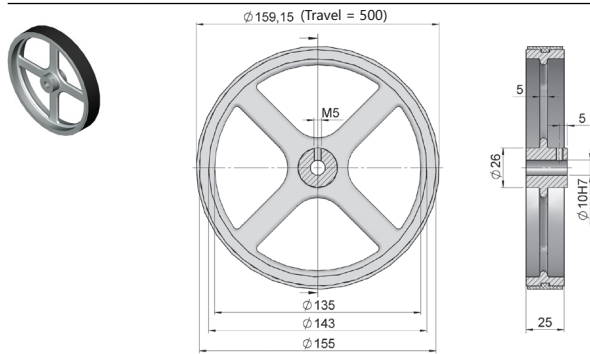


90.9112

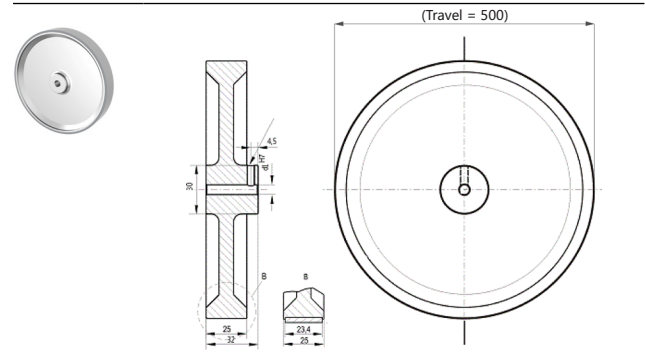


# MEASURING WHEELS

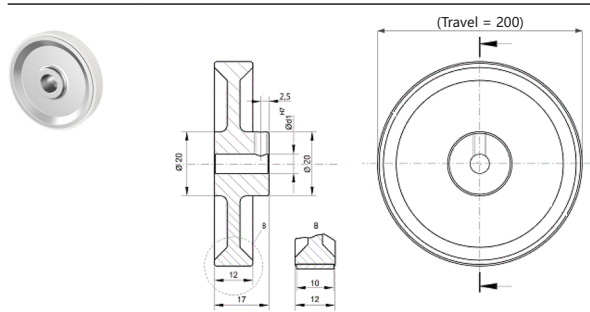
90.9113



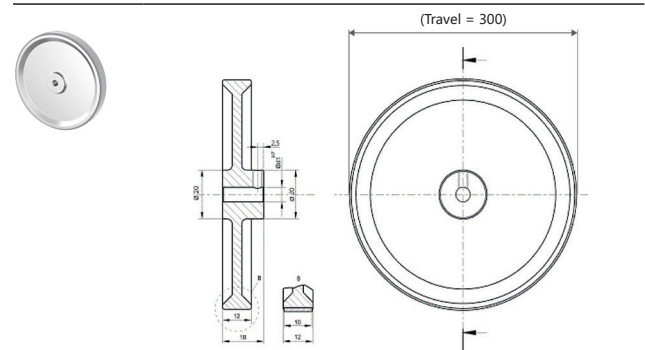
90.9114



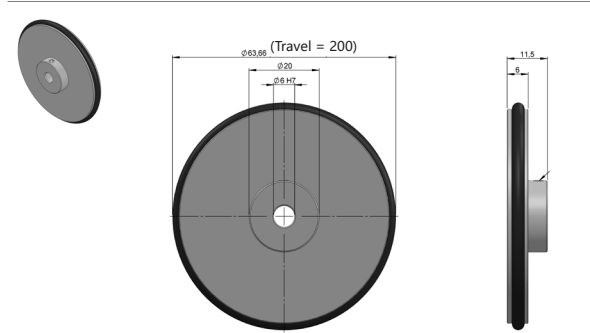
90.9115



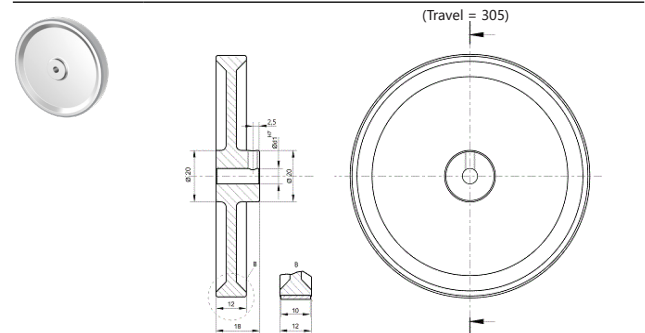
90.9117



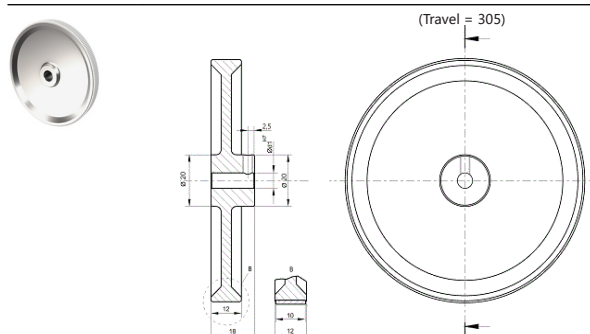
90.9119



90.9122



90.9123



90.9124

