

角架



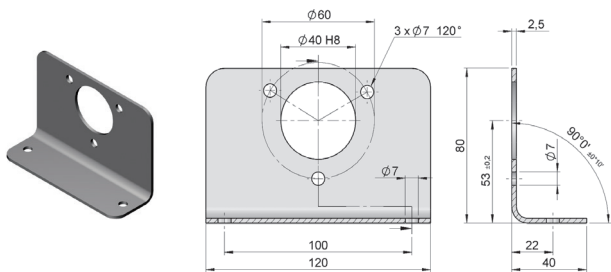
选型参考

系列

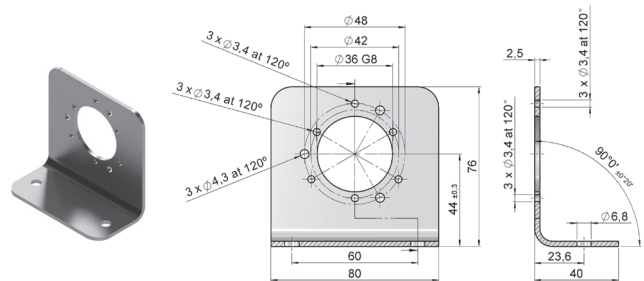
固定角架

90.1201	30, CS30, CM30
90.1207	10, 10K, 11, 20, 58, PR90, SMRS 10, CS10, CM10
90.1208	21, 36
90.1218	10, 10I, 11, 20, PR90, E58 CM, E58 CS

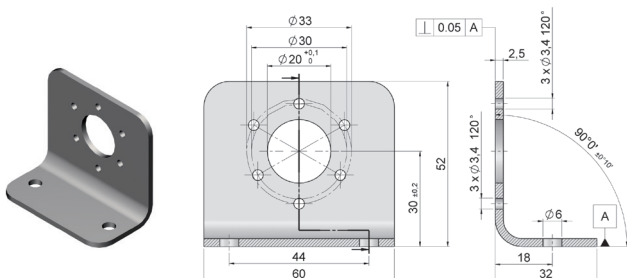
90.1201



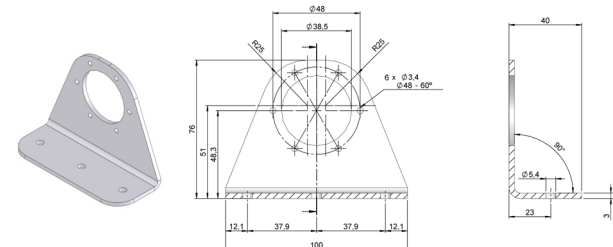
90.1207



90.1208



90.1218



角架

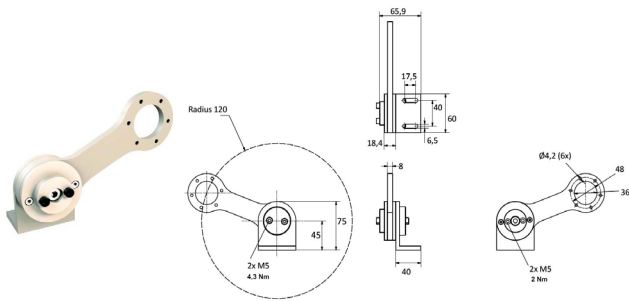
选型参考

系列

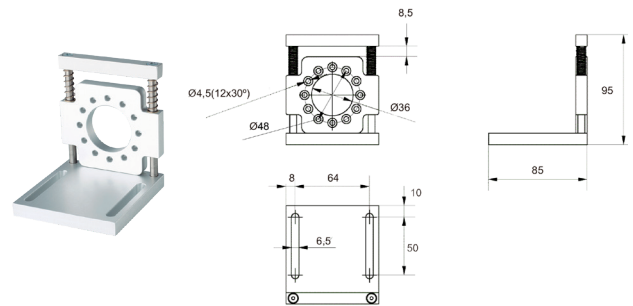
灵活角架

90.1202	10, 11, PR90, E58 CS, E58 CM, SMRS 10, 10I, 20, CS10, CM10
90.1204	10, 20, 11, PR90, SMRS 10, CS10, CM10
90.1206	10, 20, 11, 58, CS10, CM10

90.1202



90.1204



90.1206

