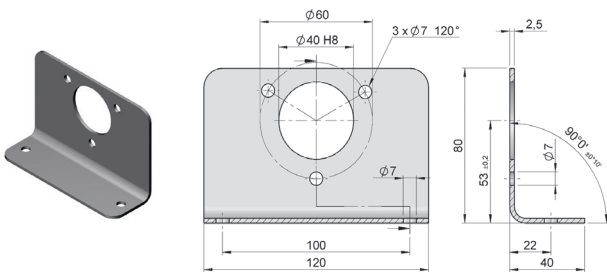


# BEFESTIGUNGSWINKEL

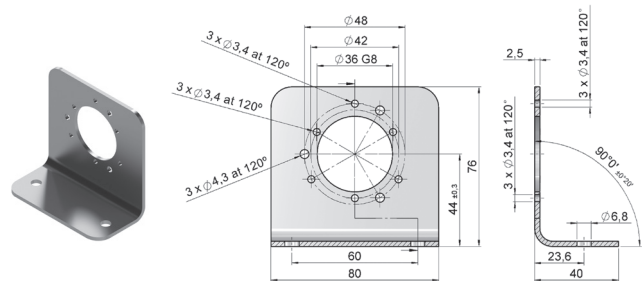


Referenz	Baureihen
STARRE WINKEL	
90.1201	30, CS30, CM30
90.1207	10, 10K, 11, 20, 58, PR90, SMRS 10, CS10, CM10
90.1208	21, 36
90.1218	10, 10I, 11, 20, PR90, E58 CM, E58 CS

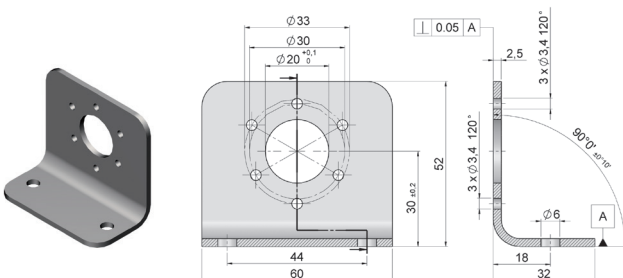
90.1201



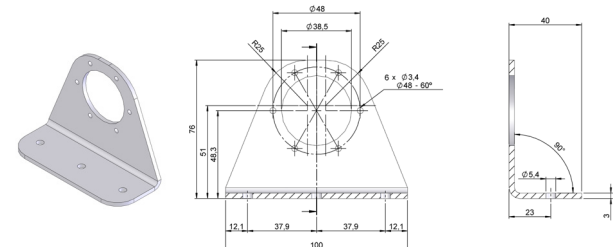
90.1207



90.1208



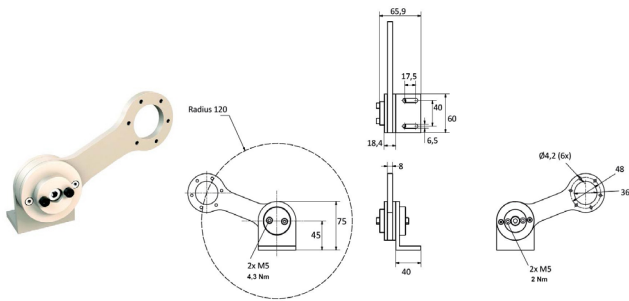
90.1218



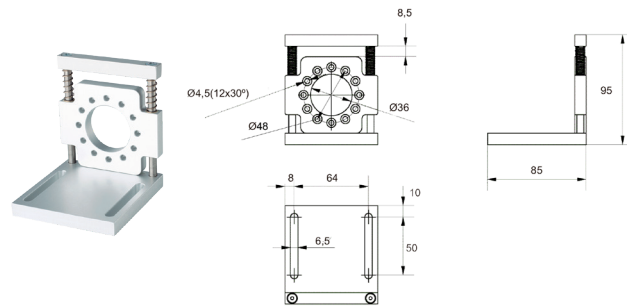
# BEFESTIGUNGSWINKEL

Referenz	Baureihen
FLEXIBLE WINKEL	
90.1202	10, 11, PR90, E58 CS, E58 CM, SMRS 10, 10I, 20, CS10, CM10
90.1204	10, 20, 11, PR90, SMRS 10, CS10, CM10
90.1206	10, 20, 11, 58, CS10, CM10
90.1219	36, 36 CS, 36CM

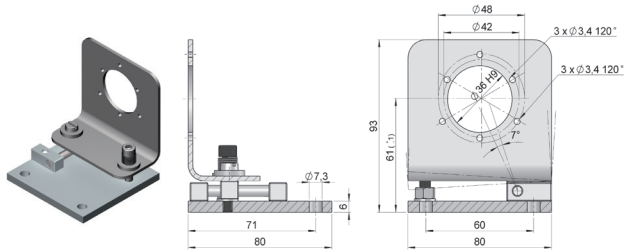
## 90.1202



## 90.1204



## 90.1206



## 90.1219

