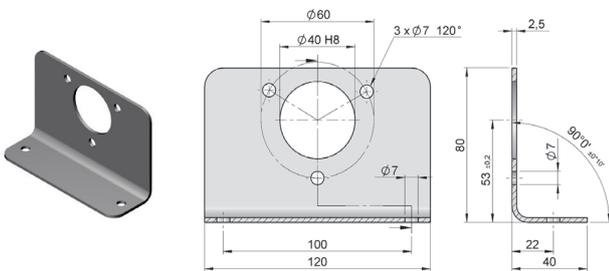


SUPPORT ANGLES

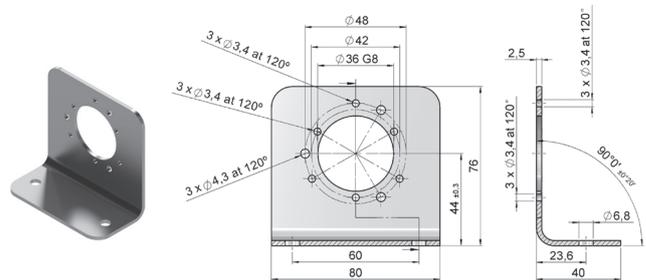


Reference	Series
RIGID ANGLES	
90.1201	30, CS30, CM30
90.1207	10, 10K, 11, 20, 58, PR90, SMRS 10, CS10, CM10
90.1208	21, 36
90.1218	10, 10I, 11, 20, PR90, E58 CM, E58 CS

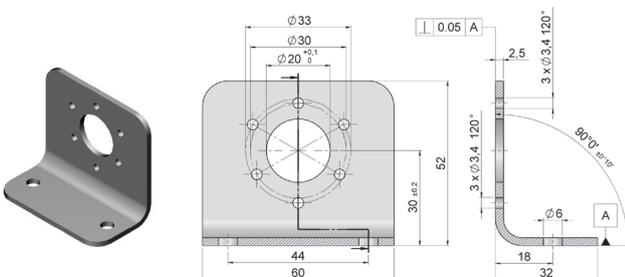
90.1201



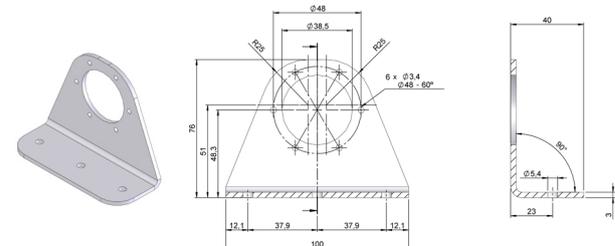
90.1207



90.1208



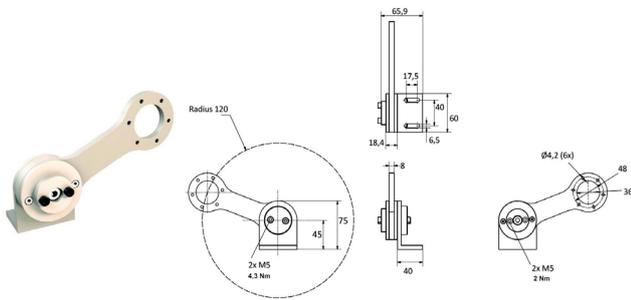
90.1218



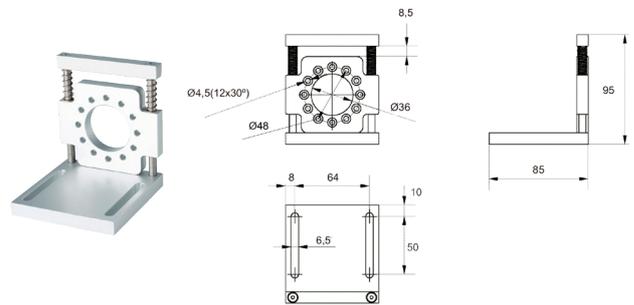
SUPPORT ANGLES

Reference	Series
FLEXIBLE ANGLES	
90.1202	10, 11, PR90, E58 CS, E58 CM, SMRS 10, 10I, 20, CS10, CM10
90.1204	10, 20, 11, PR90, SMRS 10, CS10, CM10
90.1206	10, 20, 11, 58, CS10, CM10
90.1219	36, 36 CS, 36CM

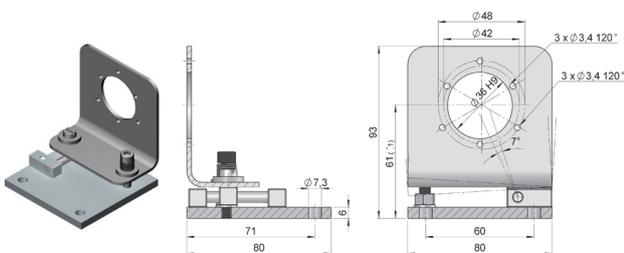
90.1202



90.1204



90.1206



90.1219

