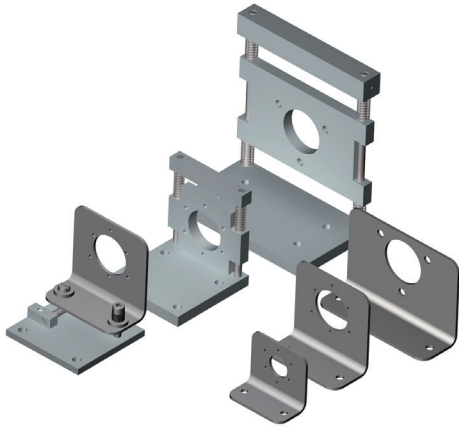
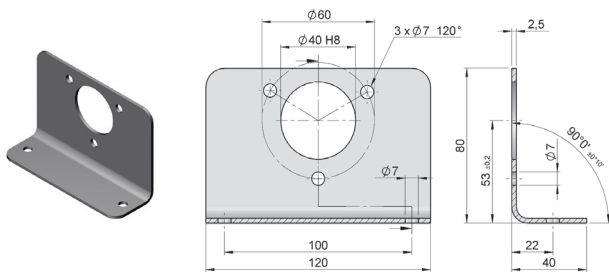


ÁNGULOS DE SOPORTE

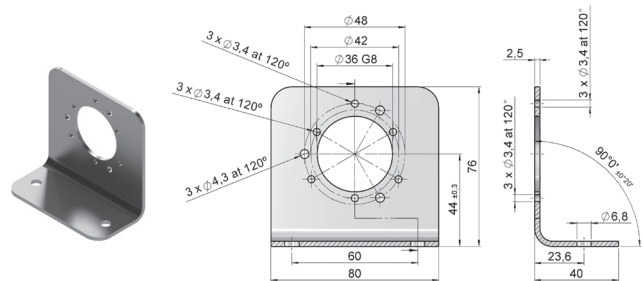


| Referencia | Series |
|-----------------|--|
| ANGULOS RÍGIDOS | |
| 90.1201 | 30, CS30, CM30 |
| 90.1207 | 10, 10K, 11, 20, 58, PR90, SMRS 10, CS10, CM10 |
| 90.1208 | 21, 36 |

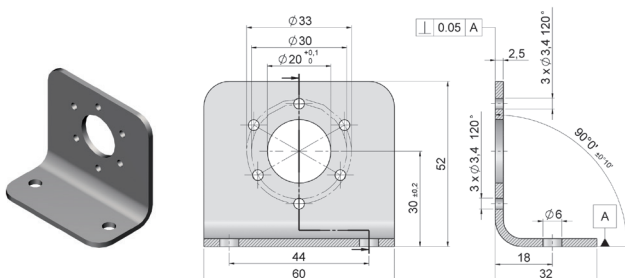
90.1201



90.1207



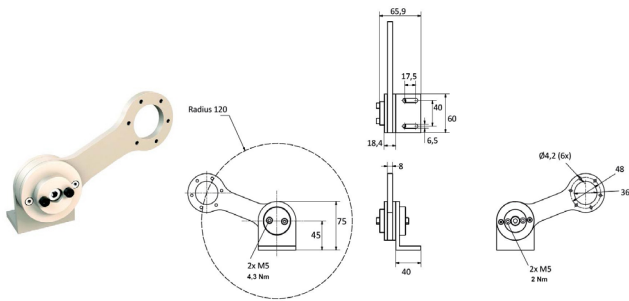
90.1208



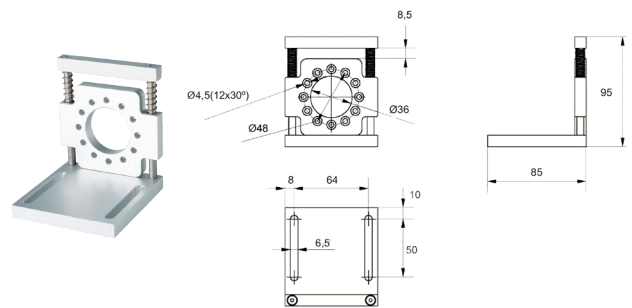
ÁNGULOS DE SOPORTE

| Referencia | Series |
|-------------------|---------------------------------------|
| ANGULOS FLEXIBLES | |
| 90.1202 | 10, 20, 11, PR90, SMRS 10, CS10, CM10 |
| 90.1204 | 10, 20, 11, PR90, SMRS 10, CS10, CM10 |
| 90.1205 | 30, CS30, CM30 |
| 90.1206 | 10, 20, 11, 58, CS10, CM10 |

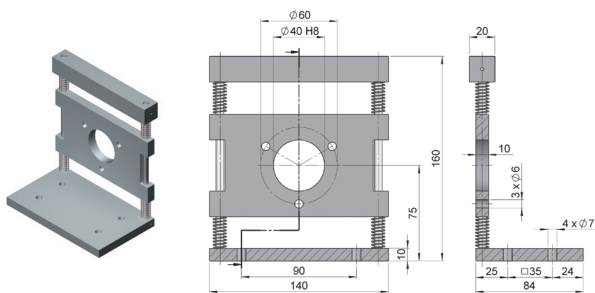
90.1202



90.1204



90.1205



90.1206

