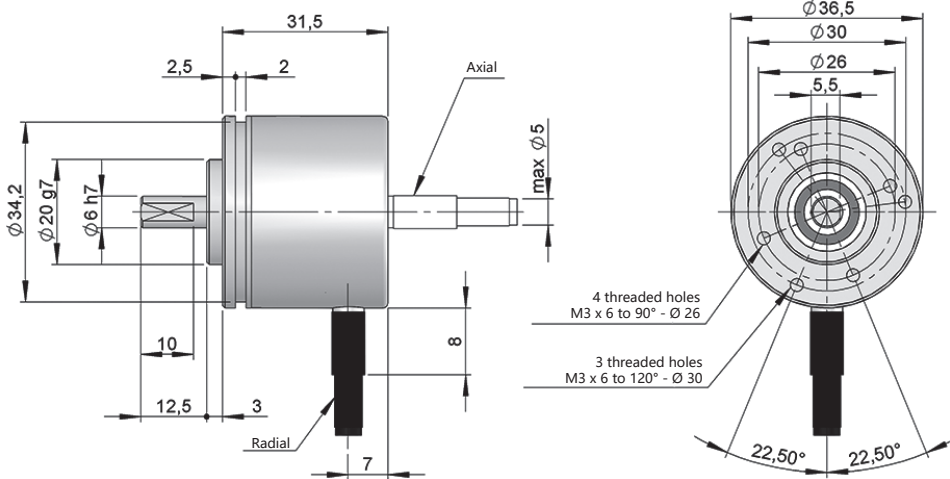




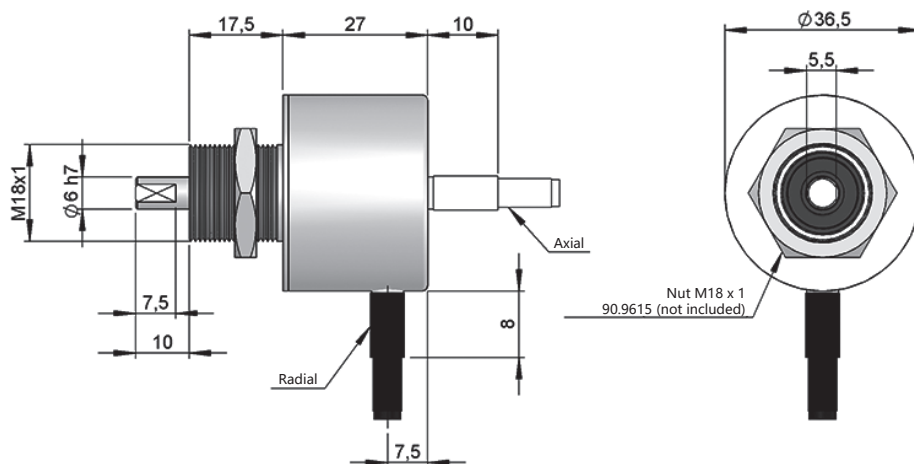
# SERIE 36

## MINIATURE SOLID SHAFT INCREMENTAL ENCODER FOR INDUSTRIAL APPLICATIONS

- Resolution up to 10000 pulses per turn
- External diameter 36.5 mm
- Shaft  $\varnothing$  6 mm
- Protection class IP65 according to DIN EN 60529
- Executions mechanical, electronic and special optics forms available on request
- Connection by cable (other cable length available) or industrial connector M12



Drawing Clamping, connection type 1/2



Drawing M18, connection type 1/2



# SERIE 36

## MINIATURE SOLID SHAFT INCREMENTAL ENCODER FOR INDUSTRIAL APPLICATIONS

REFERENCE							Reference example: 36-1311-3600
Serie	Mechanical option	Output signals	Connection	Power Supply / Electronic output	Pulses number	Special customer	
36 -	<input type="checkbox"/>	<input type="checkbox"/>	<input type="checkbox"/>	<input type="checkbox"/> -	<input type="checkbox"/> <input type="checkbox"/> <input type="checkbox"/> <input type="checkbox"/> <input type="checkbox"/> <input type="checkbox"/>	<input type="checkbox"/> <input type="checkbox"/> <input type="checkbox"/> <input type="checkbox"/>	
	1. Clamping 2. M18	2. AB 3. ABZ 7. ABZ, $\overline{ABZ}$ 8. AB, $\overline{AB}$	1. Axial cable 2. Radial cable 3. Radial M12 8p CCW	0. 11...30 VDC / NPN Open collector 11..30 VDC 1. 11..30 VDC / Line driver differential Push-Pull 11..30 VDC 2. 5 VDC / RS422 5 VDC (compatible TTL)		RT00. -40°C	

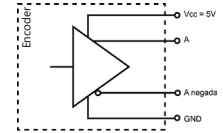
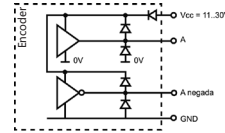
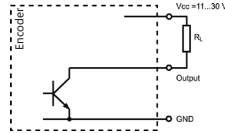
**Order your reference**  
**Step file 3D**  
[info@encoderhohner.com](mailto:info@encoderhohner.com)  
service available in 24 h

MECHANICAL SPECIFICATIONS	
Materials	Cover: Aluminium Housing: Aluminium Shaft: Stainless Steel
Bearings	Ballraces
Bearings lifetime	1x10 <sup>10</sup> rev.
Maximum number of revolutions permitted mechanically	6000 rpm
Protection against dust and splashes according to DIN EN 60529	IP 64 - Standard cable IP 65 - Radial industrial connector M12 IP 65 - Radial cable output option with PG upon request
Rotor inertia moment	2 gcm <sup>2</sup>
Starting torque at 20°C (68°F)	≤ 0.01 Nm
Maximum load permitted on axial shaft	20 N
Maximum load permitted on radial shaft	40 N
Weight aprox.	0.08 Kg
Operating temperature range	-20°C to +80°C - Standard -40°C to +80°C - Special Customer RT00
Vibration according to DIN EN 60068-2-6	100 m/s <sup>2</sup> (10Hz...2000Hz)
Shock according to DIN EN 60068-2-27	1000 m/s <sup>2</sup> (6ms)
Maximum pulses per turn	10000
Axial or radial connection	2 meters cable or industrial connector M12 (other cable lengths available on order) Female connector not included

# SERIE 36

## MINIATURE SOLID SHAFT INCREMENTAL ENCODER FOR INDUSTRIAL APPLICATIONS

### OUTPUT SIGNALS



OUTPUT CIRCUIT	NPN Open Collector	Push-Pull Differential	RS422 (TTL compatible)
Reference code	0	1	2
Power supply	11...30 VDC	11...30 VDC	5 VDC ±5%
Output voltage	11...30 VDC	11...30 VDC	5 VDC
Consumption	40 mA	Typical: 45 mA Max: 150 mA	Typical: 70 mA Max: 150 mA
Max. load capability / channel	40 mA	±30 mA	±20 mA
Length of cable allowed	50 m (24 VDC)	100 m	1200 m
“Low” signal level	VOL < 0.4 VDC (24 VDC)	VOL < 2.5 VDC	VOL < 0.5 VDC
“High” signal level	VOH > 2.2 VDC (24 VDC)	VOH > VCC – 3 VDC	VOH > 2.5 VDC
Frequency	100 kHz	200 kHz	300 kHz
Short circuit protection	Not permanent	Yes	Yes
Protection polarity inversion	Yes	Yes	No

Channel A leads (90° electric) channel B, view from the shaft, shaft rotating clockwise

### CONNECTION



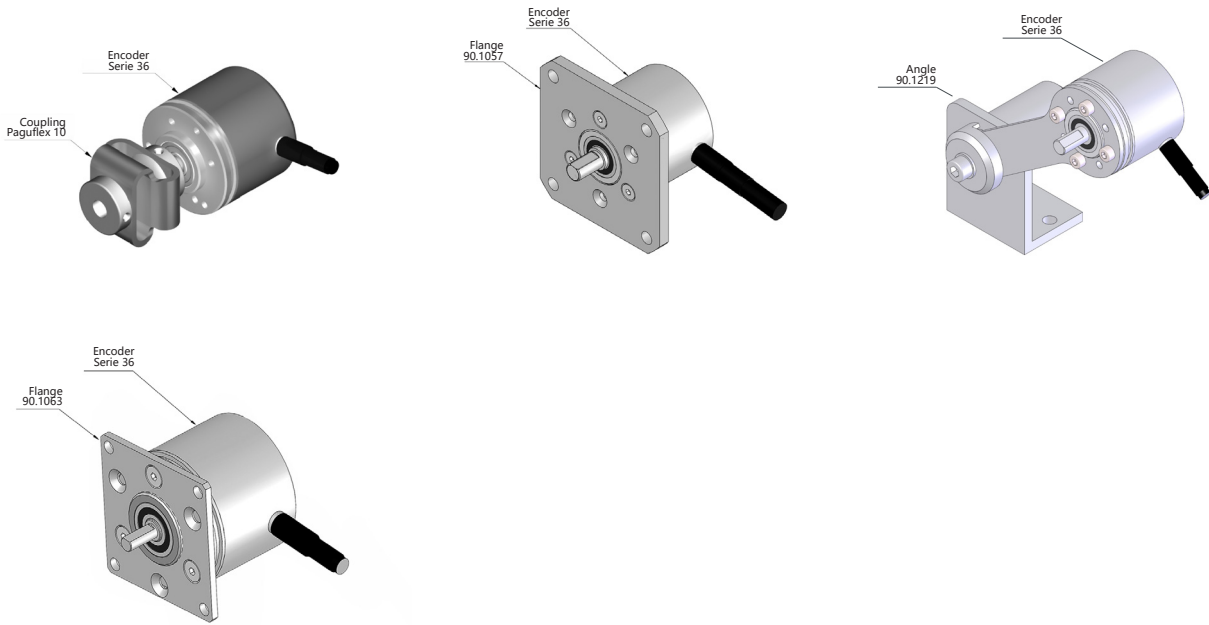
	Cable 5x0.14 95.0008051 (*)	Cable 8x0.14 95.0008052 (*)	Connector M12 8p CCW
GND	White (WH)	White (WH)	1
+UB	Brown (BN)	Brown (BN)	2
A	Green (GN)	Green (GN)	3
B	Yellow (YE)	Grey (GY)	4
$\bar{A}$	-	Yellow (YE)	5
$\bar{B}$	-	Pink (PK)	6
Z	Grey (GY)	Blue (BU)	7
$\bar{Z}$	Grey (GY)	Red (RD)	8
Case	Shield	Case	Case

(\*) For lengths over 2 meters standard cable, we recommend the use of twisted pair cable 2x2x0.14+1x0.14 (95.0008002) or 3x2x0.14+2x0.34 (95.0008003). Request the final cable length required to avoid junctions.

# SERIE 36

## MINIATURE SOLID SHAFT INCREMENTAL ENCODER FOR INDUSTRIAL APPLICATIONS

### ACCESSORIES EXAMPLES



All the accessories available in the section "MOUNTING ACCESSORIES".

### CONNECTION DIMENSIONS

Female connector not included

#### Connection 3

Radial

M12 8p  
male panel  
counter clockwise

