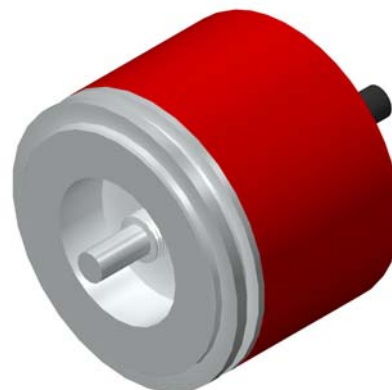


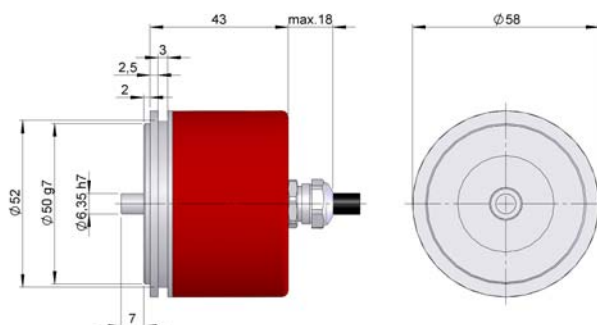
POTENTIOMETER **POT20**

SOLID SHAFT ANGULAR SENSOR FOR INDUSTRIAL APPLICATIONS

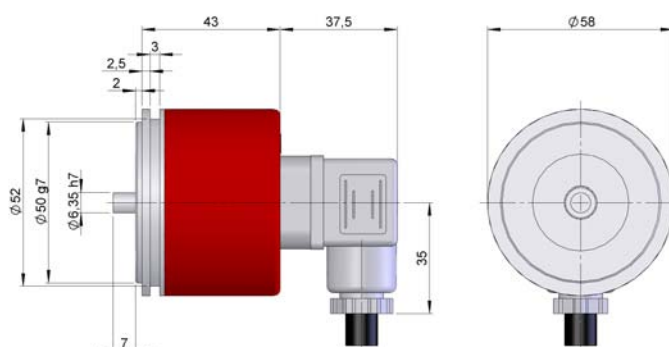
- External diameter 58 mm
- Shaft 6,35mm
- Measuring range 10 turns
- Output resistance 5k or 10k
- Cable connection (any length of cable available) or industrial connector
- Measuring system using accuracy potentiometer



Cable output



Connector output



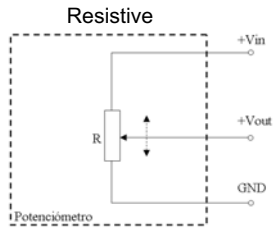
MECHANICAL SPECIFICATIONS

Housing	Aluminium.
Shaft	Nickel plated brass.
Mechanical lifetime without charge	10 ⁶ rev.
Starting torque	Max. 1,0 Ncm.
Output	Resistive.
Linearity	See table.
Temperature range	-20°C..+85°C.
Protection class according to DIN 40050	IP54.


ELECTRICAL SPECIFICATIONS

	5 kΩ 10 turns	10 kΩ 10 turns
Voltage supply	30 Vdc max	30 Vdc max
Output	± 5%	± 5%
Resolution	0,025 %	0,02 %
Thermal coefficient	± 50ppm/C°	± 50ppm/C°
Load	1w máx.	1w máx.
Linearity	± 0,25%	± 0,25%

OUTPUT



CONNECTION



	Cable 5x0.14	Connector 90.9504
GND	Yellow	1
Vin	White	2
Vout	Brown	3

ORDERING CODE

SERIE	SHAFT	FLANGE	CONNECTION	ELECTRONIC OUTPUT	MEASURING RANGE
POT20	● 1- Ø6,35 mm	● 1- None	● 1- Axial cable 2- Axial 90.9504	● 1- 5 kΩ 2- 10 kΩ	3600° (10 turns)

ACCESORIES

