



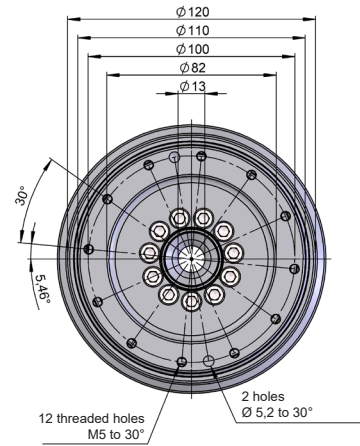
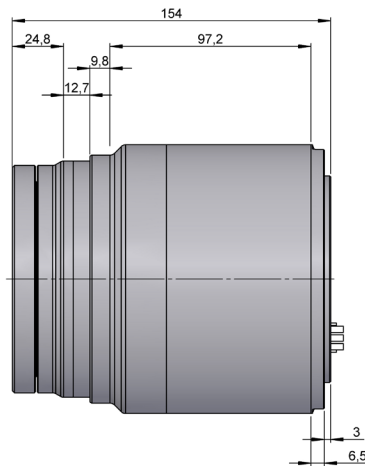
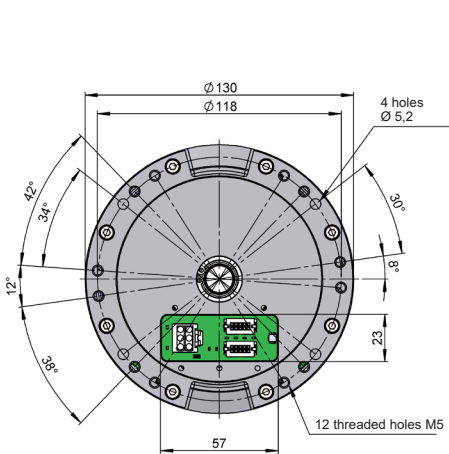
# SERIE M400

## BRUSHLESS HOLLOW SHAFT DC MOTOR

- Harmonic Drive gearbox
- Brushless motor
- High accuracy
- High reliability
- Start time 96 Nm
- Excellent regulation at low speeds
- Speed range 0.002 rpm (0,015°/s) to 8 rpm (50°/s)



Servomotor   EtherCAT   Brushless motor   Harmonic Drive gearbox   Compact



### REFERENCE

Reference example: M400.00.10.A0

Serie	Reference	Version	Review
M400 .	<b>00</b> .	<b>10</b> .	<b>A0</b>

### ELECTRICAL SPECIFICATIONS

Interface	EtherCAT
Power supply	24 V
Repeat accuracy	0,05°
Resolution	19 bits
Nominal voltage	24 V
Nominal current	2 A
Motor max current	4 A



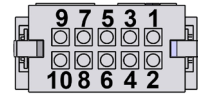
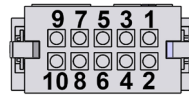
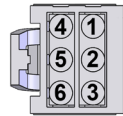
# SERIE M400

## BRUSHLESS HOLLOW SHAFT DC MOTOR

### MECHANICAL SPECIFICATIONS

Materials	Housing: Aluminium Shaft: Aluminium
Hollow bore diameter	13 mm
Protection against dust and splashes according to DIN EN 60529	IP40
Nominal / Peak Power	48 / 96 W
Nominal / Peak Torque	96 / 192 Nm
Maximum speed	40° /s <sup>2</sup>
Max. Acceleration	100° /s <sup>2</sup>
Weight aprox.	3,1 Kg
Operating temperature range	-0°C to +35°C
Gear ratio	900:1
Brake	Integrated
Electronics Control	Integrated
Noise level	<= 70 dB

### CONNECTION



	J1 Power supply connector 6p	J4 EtherCAT Connector 1 10p	J5 EtherCAT Connector 2 10p
ETH1_RX_N		1	1
+LOG_SUP (+24V)		2	2
ETH1_RX_P		3	3
GND	3 - 6	4	4
ETH1_TX_N		5	5
STO2_IN		6	6
ETH1_TX_P		7	7
STO_RET		8	8
PE	2 - 5	9	9
STO1_IN		10	10
+POW_SUP (+24V)	1 - 4		