

Image with Expanding coupling 90.1101



SERIE SMRS 64S

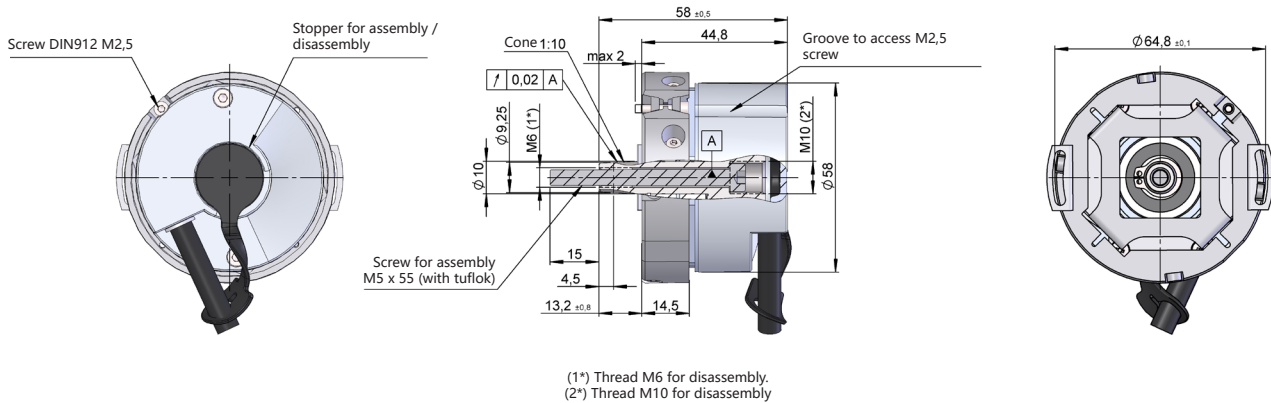
SINGLETURN ABSOLUTE AND INCREMENTAL CONIC SHAFT ENCODER

SIN/COS + SIN/COS

- Absolute resolution 1 SIN/COS per turn
- Incremental resolution 2048 SIN/COS per turn
- External diameter 58 mm
- Conic shaft 1:10
- Protection class IP54 according to DIN EN 60529
- Anti-rotation system through flexible flange or expanding coupling
- Connection by cable (other cable length available)



Expanding coupling (90.1101)



(1*) Thread M6 for disassembly.
(2*) Thread M10 for disassembly

Drawing mechanical option type 2, conic shaft 1:10, connection type 10

REFERENCE									Reference example: SMRS64S-12106012-2048
Serie	Conic shaft	Mechanical option	Connection	Interface	IP	Power supply	Pulses number	Special customer	
SMRS64S -	<input type="checkbox"/>	<input type="checkbox"/>	<input type="checkbox"/> <input type="checkbox"/>	<input type="checkbox"/> <input type="checkbox"/>	<input type="checkbox"/>	<input type="checkbox"/>	<input type="checkbox"/> <input type="checkbox"/> <input type="checkbox"/> <input type="checkbox"/>	<input type="checkbox"/> <input type="checkbox"/>	
	1. Conic 1:10	2. Expanding coupling 90.1101 (*)	10. Helicoidal cable 20. 30 cm cable + connector D-Sub 15p	60. Absolute 1 SIN/COS in 360° and incremental 2048 SIN/COS	1. IP54	2. 5 VDC		KD. Halogen-free cable	

(*) Anti-rotation system type 2 (Expanding coupling 90.1101) supplied assembled.

Other extension cable options available with specific connectors mounted at the end of the cable for different market drives, on request.
All systems and required assembly and disassembly screws available in the section "ACCESSORIES".

Assembly and disassembly instruction manual available in:
www.encoderhohner.com/product/serie-smrs64s/

Order your reference
Step file 3D

info@encoderhohner.com

service available in 24 h



SERIE SMRS 64S

SINGLETURN ABSOLUTE AND INCREMENTAL CONIC SHAFT ENCODER

SIN/COS + SIN/COS

TECHNICAL SPECIFICATIONS

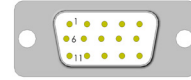
Materials	Cover: Zamac Housing: Aluminium Shaft: Stainless Steel
Bearings	Ballraces
Bearings lifetime	1x10 ¹⁰ rev.
Housing fixing	Expanding coupling 90.1101 (assembled)
Permitted misalignment	±0.5 mm axial
Maximum number of revolutions permitted mechanically	6000 rpm
Protection against dust and splashes according to DIN EN 60529	IP54
Rotor inertia moment	≤ 30 gcm ²
Starting torque at 20°C (68°F)	≤ 0.016 Nm
Maximum load permitted on axial shaft	40 N
Maximum load permitted on radial shaft	60 N
Weight approx.	0.4 Kg
Operating temperature range	-20°C to +100°C
Vibration according to DIN EN 60068-2-6	100 m/s ² (10Hz...2000Hz)
Shock according to DIN EN 60068-2-27	1000 m/s ² (6ms)
Consumption	≤ 100 mA
Power supply	5 VDC ±10%
Electronic incremental output	SIN/COS, 1 Vpp ±20%
Incremental resolution	2048 SIN/COS
Electronic absolute output	SIN/COS, 1 Vpp ±20%
Absolute resolution	1 SIN/COS in 360°
Frequency (-3 dB)	≤ 200 kHz
Signal offset	2.5 VDC
Helicoidal cable	2 meters cable (other cable lengths available or connector mounted at the end of the cable, upon request) or 30 cm cable + connector D-Sub 15p

SERIE SMRS 64S

SINGLETURN ABSOLUTE AND INCREMENTAL CONIC SHAFT ENCODER

SIN/COS + SIN/COS

CONNECTION



	Cable 6x2x0.14 mm ² up to 100°C 95.0008072 (**)	Cable 6x2x0.14 mm ² Halogen-free cable up to 90°C 95.0008073 (**)	Connector D-Sub 15p HD High density
POWER SUPPLY			
GND	White (WH)	White (WH)	7
+UB	Brown (BN)	Brown (BN)	9
INCREMENTAL SIGNALS			
A	Green (GN)	Green (GN)	5
\bar{A}	Yellow (YE)	Yellow (YE)	6
B	Blue (BU)	Blue (BU)	8
\bar{B}	Red (RD)	Red (RD)	1
Z	Grey (GY)-Pink (PK)	Grey (GY)-Pink (PK)	3
\bar{Z}	Red (RD)-Blue (BU)	Red (RD)-Blue (BU)	4
ABSOLUTE SIGNALS			
C	Grey (GY)	Grey (GY)	11
\bar{C}	Pink (PK)	Pink (PK)	10
D	Black (BK)	Black (BK)	12
\bar{D}	Violet (VT)	Violet (VT)	13
Case	Shield	Shield	Case

A, \bar{A} , C, \bar{C} : Cosine signal
B, \bar{B} , D, \bar{D} : Sine signal

(**) The recommended maximum cable length is 10 meters. For longer lengths use connection option type 20 connection with extension accessories.

ACCESSORIES

Screw for assembly (included)



95.0004119
M5x55 with tuflok

Screw for disassembly (not included)



95.0004106
M10x20



95.0004106
M6x55



95.0004420
Grub screw M5 x 20
45H DIN913

Extension cable connection



Other extension cable options available with specific connectors mounted at the end of the cable for different market drives, on request.

Female connector (not included)



90.9546H - D-Sub 15p
The female connector is supplied disassembled, with the assembly instruction manual.