

SERIE XT12

ROBUST DRAW WIRE SYSTEM FOR HEAVY DUTY INDUSTRIAL APPLICATIONS

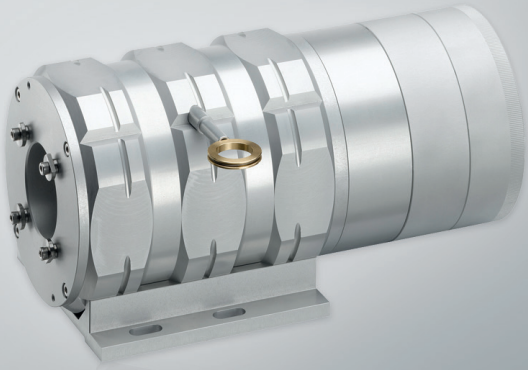


Image XT12-15000



- Measuring linear distances up to 15 meters
- Any mounting position possible
- High speed up to 10 m/s
- The drum shaft can drive any kind of rotary encoder or potentiometer
- Stainless steel measuring cable $\varnothing 0,90$ mm
- Different wire types and wire attachment options



Linear measurement system



Extendible cable



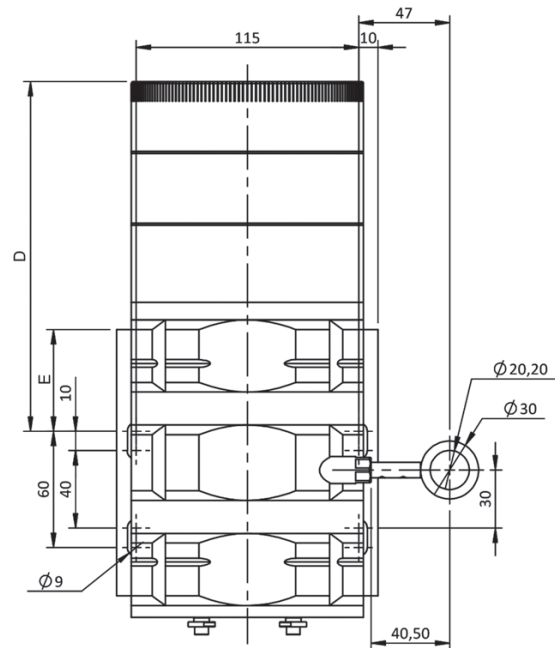
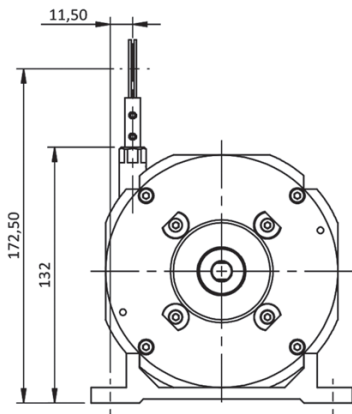
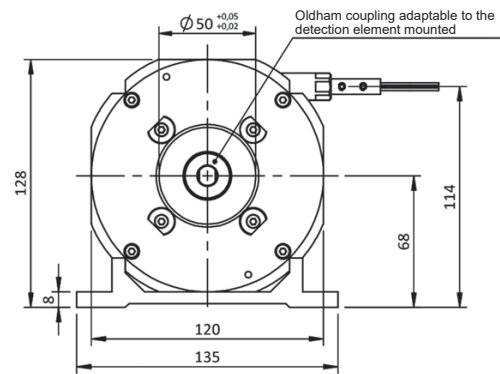
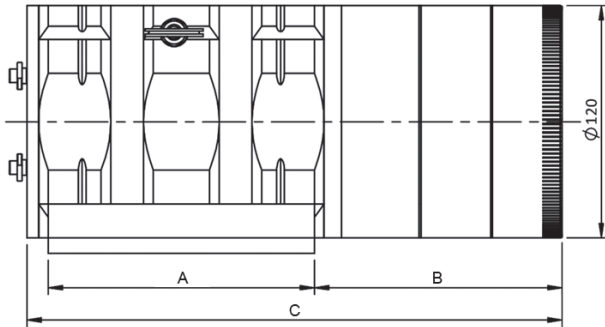
High speed



Temperature range
-30°C



Express Delivery



SERIE	A	B	C	D	E
90.XT1210	102 mm	66 mm	181 mm	84,50 mm	18,50 mm
90.XT1215	137,50 mm	128 mm	276,50 mm	180,50 mm	52,50 mm

Drawing with a measuring cable attachment through eyelet



SERIE XT12

ROBUST DRAW WIRE SYSTEM FOR HEAVY DUTY INDUSTRIAL APPLICATIONS

REFERENCE

Reference example: 90.XT1215

Serie	Measurement range	Special Customer
90.XT12	□ □	. □ □
	10. up to 10000 mm 15. up to 15000 mm	BK. -30°C BL. Anodised BM. M6 threaded rod BN. Cleaning brush for the cable

The standard draw wire system includes a $\varnothing 10$ coupling brace with adaptation flange.
Other coupling options and flanges available, upon request.

We can also supply the draw wire system already coupled to an electronic output device that could be an incremental encoder, absolute encoder or potentiometer.

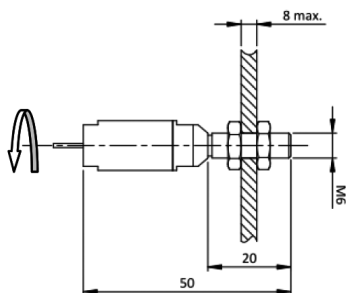
TECHNICAL SPECIFICATIONS

Materials	Housing: Aluminium Flange: Aluminium Measuring cable*: $\varnothing 0,90$ mm Stainless Steel
Travel	300 mm / per turn
Measurement range, up to (mm)	15000
Minimum cable static tension	10,5 N
Maximum cable static tension	15 N
Max. Acceleration	4 m/s ²
Max. Speed	10 m/s
Linearity	$\pm 0,05\%$ f.s.
Weight aprox.	8 Kg
Operating temperature range	-20°C to +80°C - Standard -30°C to +80°C - Special Customer BK
Storage temperature range	-30°C to +80°C

(*) Other types of cables are possible on special order.

SPECIAL CUSTOMER OPTIONS

BM - M6 threaded rod



BN - Cleaning brush for the cable

