

Image XT18-50000



# SERIE XT18

## ROBUST DRAW WIRE SYSTEM FOR HEAVY DUTY INDUSTRIAL APPLICATIONS

- Measuring linear distances up to 50 meters
- Any mounting position possible
- High speed up to 10 m/s
- The drum shaft can drive any kind of rotary encoder or potentiometer
- Stainless steel measuring cable  $\varnothing 0,90$  mm
- Different wire types and wire attachment options



Linear measurement system



Extendible cable



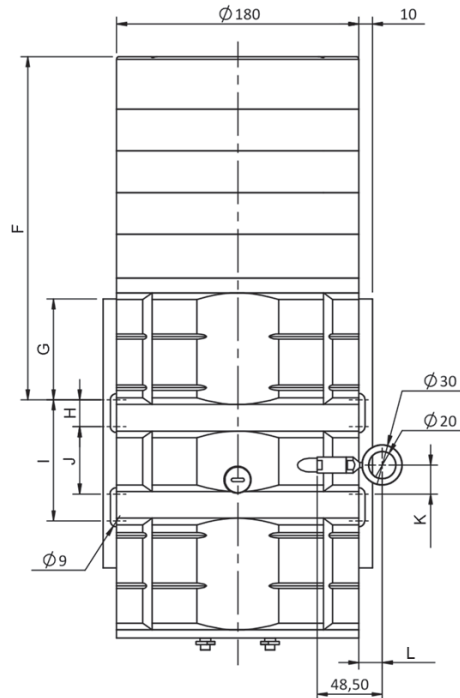
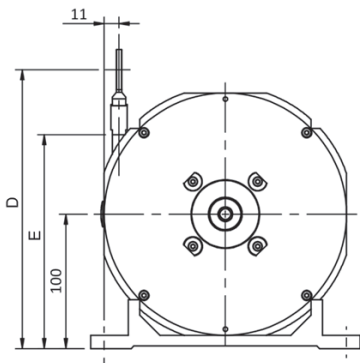
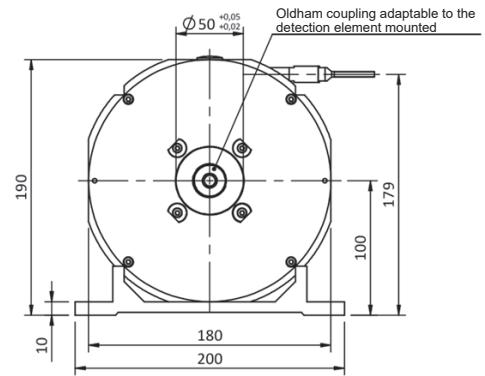
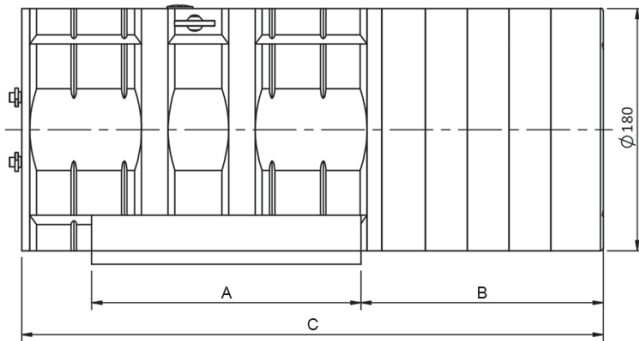
High speed



Temperature range  
- 30°C



Express Delivery



SERIE	90.XT1820	90.XT1830	90.XT1840	90.XT1850
A	110 mm	160 mm	180 mm	200 mm
B	154,50 mm	148 mm	180 mm	180 mm
C	282,50 mm	319 mm	392 mm	432 mm
D	218,50mm	218,50 mm	218,50 mm	207,37 mm
E	170 mm	170 mm	170 mm	159 mm
F	174,50 mm	183 mm	235 mm	255 mm
G	20 mm	35 mm	55 mm	75 mm
H	10 mm	20 mm	20 mm	20 mm
I	80 mm	90 mm	90 mm	90 mm
J	60 mm	50 mm	50 mm	50 mm
K	38 mm	21,50 mm	21,50 mm	21,50 mm
L	17,50 mm	28,50 mm	28,50 mm	17,50 mm

Drawing with a measuring cable attachment through eyelet



# SERIE XT18

## ROBUST DRAW WIRE SYSTEM FOR HEAVY DUTY INDUSTRIAL APPLICATIONS

### REFERENCE

Reference example: 90.XT1850

Serie	Measurement range	Special Customer
90.XT18	□ □	. □ □
	<b>20.</b> up to 20000 mm <b>30.</b> up to 30000 mm <b>40.</b> up to 40000 mm <b>50.</b> up to 50000 mm	<b>BK.</b> -30°C <b>BL.</b> Anodised <b>BM.</b> M6 threaded rod <b>BN.</b> Cleaning brush for the cable

The standard draw wire system includes a  $\varnothing 10$  coupling brace with adaptation flange.  
Other coupling options and flanges available, upon request.

We can also supply the draw wire system already coupled to an electronic output device that could be an incremental encoder, absolute encoder or potentiometer.

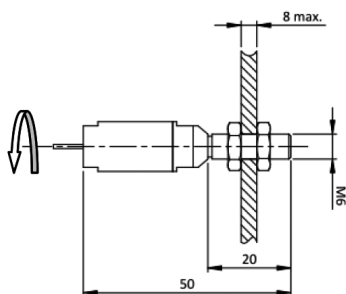
### TECHNICAL SPECIFICATIONS

Materials	Housing: Aluminium Flange: Aluminium Measuring cable*: $\varnothing 0,90$ mm Stainless Steel
Travel	500 mm / per turn
Measurement range, up to (mm)	50000
Minimum cable static tension	15 N
Maximum cable static tension	30 N
Max. Acceleration	2 m/s <sup>2</sup> (90.XT1820, 90.XT1830) 1 m/s <sup>2</sup> (90.XT1840, 90.XT1850)
Max. Speed	10 m/s
Linearity	$\pm 0,05\%$ f.s.
Weight aprox.	12 Kg (90.XT1820), 15 Kg (90.XT1830) 20 Kg (90.XT1840), 23 Kg (90.XT1850)
Operating temperature range	-20°C to +80°C - Standard -30°C to +80°C - Special Customer BK
Storage temperature range	-30°C to +80°C

(\*) Other types of cables are possible on special order.

### SPECIAL CUSTOMER OPTIONS

#### BM - M6 threaded rod



#### BN - Cleaning brush for the cable

