



SERIE CS10/CM10

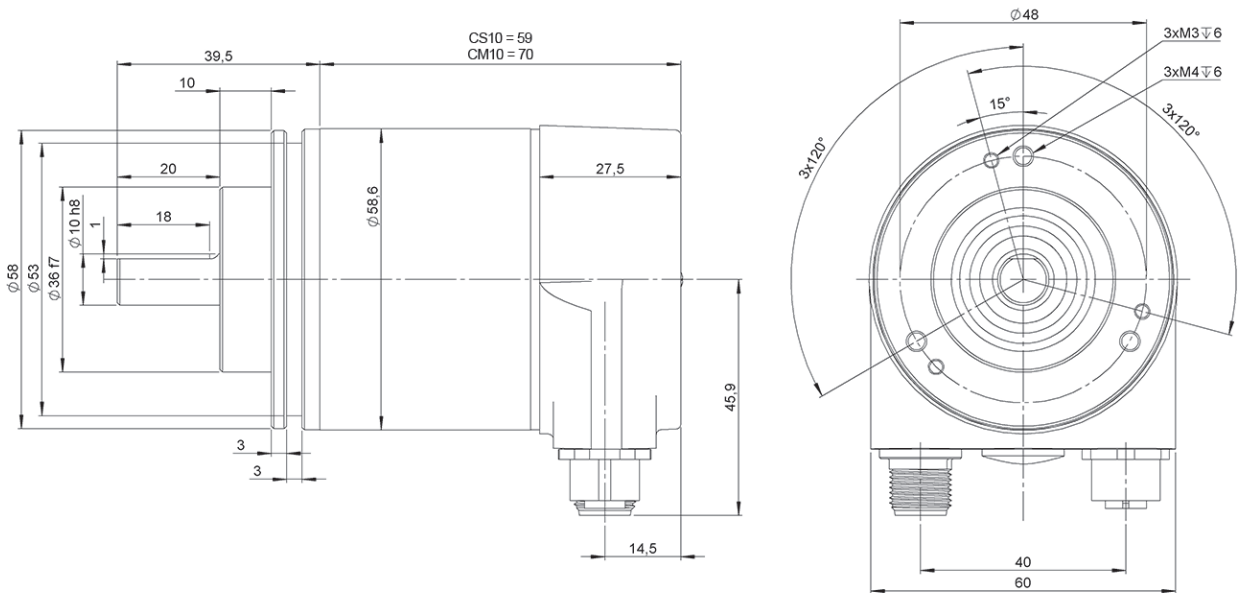
SINGLETURN AND MULTITURN
ABSOLUTE SOLID SHAFT ENCODER



- CANOpen
- Programmable up to 30 bits (65.536 points per turn, 16.384 turns)
- External diameter 58 mm
- Shaft \varnothing 6 or 10 mm
- Protection class IP65 according to DIN EN 60529
- Connection by industrial connector 2 x M12



Optical Encoder	Absolute Encoder	High shaft load capacity	Vibration and shock resistant	IP65	Temperature range



Drawing shaft type 2, connection type 2, clamping

REFERENCE

Reference example: CS10-1222-13 | CM10-2122-1312

Serie	Flange	Solid shaft	Interface	Connection	Singleturn resolution	Multiturn resolution	Special customer
CS10/CM10 -	<input type="checkbox"/>	<input type="checkbox"/>	<input type="checkbox"/>	<input type="checkbox"/>	- <input type="checkbox"/> <input type="checkbox"/>	<input type="checkbox"/> <input type="checkbox"/>	. <input type="checkbox"/> <input type="checkbox"/>
CS10. Singleturn CM10. Multiturn	1. Clamping 2. Synchro	1. \varnothing 6x10 mm 2. \varnothing 10x20 mm	2. CANOpen	2. 2 x M12 Connector	up to 16 bits (Standard: 13 bits)	up to 14 bits (Standard: 12 bits)	

Order your reference
Step file 3D

info@encoderhohner.com

service available in 24 h



SERIE CS10/CM10

SINGLETURN AND MULTITURN ABSOLUTE SOLID SHAFT ENCODER



MECHANICAL SPECIFICATIONS

Materials	Housing: Aluminium Flange: Aluminium Shaft: Stainless Steel
Bearings	Ballraces
Bearings lifetime	55x10 ⁸ rev. (Clamping) [40 N / 110 N] 150x10 ⁸ rev. (Clamping) [40 N / 60 N] 85x10 ⁸ rev. (Synchro) [40 N / 110 N] 195x10 ⁸ rev. (Synchro) [40 N / 60 N]
Shaft diameter	6 or 10 mm
Maximum number of revolutions permitted mechanically	≤ 12000 rpm
Protection according to DIN EN 60529	IP65
Rotor inertia moment	≤ 30 gcm ²
Starting torque at 20°C (68°F)	≤ 0,03 Nm
Maximum load permitted on axial shaft	40 N
Maximum load permitted on radial shaft	110 N
Weight aprox.	470 g
Operating temperature range	-40°C to +85°C
Storage temperature range	-40°C to +85°C
Humidity	98% RH, not condensed
Vibration according to DIN EN 60068-2-6	100 m/s ² (10Hz...1000Hz)
Shock according to DIN EN 60068-2-27	1000 m/s ² (6ms)
Radial connection	2 x M12 Connector Mating connectors not included

INTERFACE



Profile	DS-406
Programming functions	Resolution, preset, 2 limit switches, 8 CAMS, baud rate, CAN-Identifier, bootloader, transmission modes (polled, cyclic, sync)
Manual functions	Address selector switch 0-99 and terminal resistor (with connection cap)
Features	Round axis
Transmission rate	min. 20 kBaud max. 1 MBaud
Interface cycle time	≥ 1 ms

ELECTRICAL SPECIFICATIONS

Output Driver	Transceiver (ISO 11898), Galvanically Isolated by Opto-Couplers
Power supply	10...30 VDC
Consumption	≤ 230 mA (10 VDC) ≤ 100 mA (24 VDC)
Power Consumption	≤ 2.5 W
Start time	< 250 ms
Singleturn resolution	up to 16 bits
Multiturn resolution	up to 14 bits
Accuracy (INL)	±0.0220° (14 – 16 bits) ±0.0439° (≤13 bits)
Code	Binary
Short circuit protection	Yes
Protection polarity inversion	Yes
EMC: Emitted interference	DIN EN 61000-6-4
EMC: Noise immunity	DIN EN 61000-6-2
MTTF	13,5 years

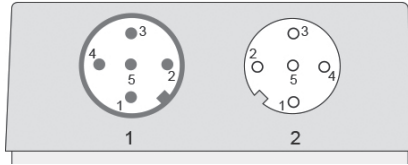
SERIE CS10/CM10

SINGLETURN AND MULTITURN ABSOLUTE SOLID SHAFT ENCODER



CONNECTION

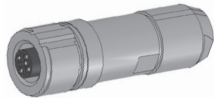
Mating connectors not included



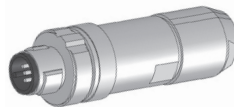
	M12 5p Male a coded	M12 5p Female a coded	
VCC	2	2	
GND	3	3	
CAN High	4	4	
CAN Low	5	5	
CAN GND	1	1	

ACCESSORIES

90.9550
M12 5p
Female



90.9551
M12 5p
Male



FLANGE DIMENSIONS

Flange 2
Synchro

