

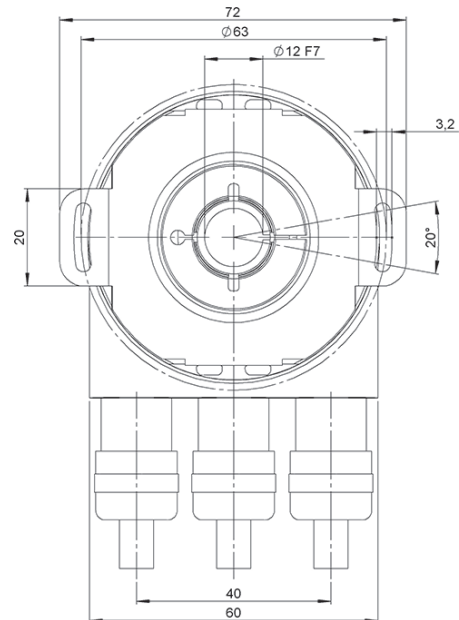
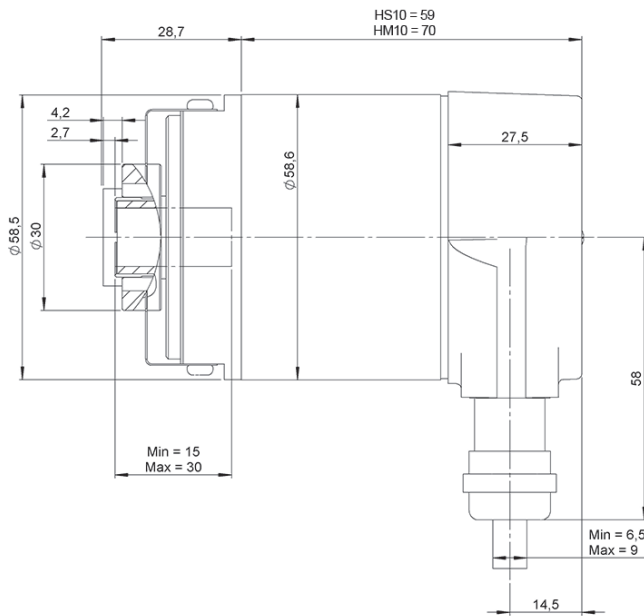
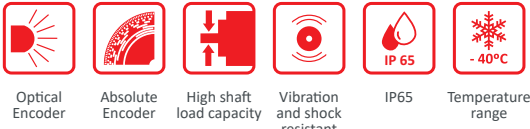


SERIE HS10/HM10

SINGLETURN AND MULTITURN
ABSOLUTE BLIND HOLLOW SHAFT
ENCODER



- Profibus DP
- Programmable up to 30 bits (65.536 points per turn, 16.384 turns)
- External diameter 58 mm
- Blind hollow shaft \varnothing 10 or 12 mm
- Protection class IP65 according to DIN EN 60529
- Connection by cable or industrial connector 3 x M12



Drawing blind hollow shaft type 3, connection type 1

REFERENCE

Reference example: HS10-4432-13 | HM10-4331-1312

Serie	Flange	Blind-Hollow shaft	Interface	Connection	Singleturn resolution	Multiturn resolution	Special customer
HS10/HM10 -	<input type="checkbox"/>	<input type="checkbox"/>	<input type="checkbox"/>	<input type="checkbox"/>	- <input type="checkbox"/> <input type="checkbox"/>	<input type="checkbox"/> <input type="checkbox"/>	<input type="checkbox"/> <input type="checkbox"/>
HS10. Singleturn HM10. Multiturn	4. Blind-Hollow shaft	3. \varnothing 10 mm 4. \varnothing 12 mm	3. Profibus DP	1. 3 x Cable Gland Terminal Box 2. 3 x M12 Connector	up to 16 bits (Standard: 13 bits)	up to 14 bits (Standard: 12 bits)	

Order your reference
Step file 3D

info@encoderhohner.com

service available in 24 h



SERIE HS10/HM10

SINGLETURN AND MULTITURN ABSOLUTE BLIND HOLLOW SHAFT ENCODER



MECHANICAL SPECIFICATIONS

Materials	Housing: Aluminium Flange: Aluminium Shaft: Stainless Steel
Bearings	Ballraces
Blind hollow shaft diameter	10 or 12 mm
Maximum number of revolutions permitted mechanically	≤ 12000 rpm
Protection according to DIN EN 60529	IP65
Rotor inertia moment	≤ 30 gcm ²
Starting torque at 20°C (68°F)	≤ 0,03 Nm
Weight aprox.	480 g
Operating temperature range	-40°C to +85°C
Storage temperature range	-40°C to +85°C
Humidity	98% RH, not condensed
Vibration according to DIN EN 60068-2-6	100 m/s ² (10Hz...1000Hz)
Shock according to DIN EN 60068-2-27	1000 m/s ² (6ms)
Radial connection	3 x Cable Gland (Terminal Box) 3 x M12 Connector Mating connectors not included

INTERFACE



Profile	DPV0, DPV1 and DPV2 Class 2 (EN50170 + EN50254)
Diagnostics	Memory
Programming functions	Resolution, gearing factor (physical resolution), velocity scaling + filter, preset (zero point), counting direction, limit switches, node number, teach-in, diagnosis
Manual functions	Address selector switch 0-99 and terminal resistor (with connection cap)
Features	Round axis
Transmission rate	≤ 12 Mbaud
Interface cycle time	≥ 1 ms

ELECTRICAL SPECIFICATIONS

Output Driver	Profibus Data Interface, galvanically isolated via opto-couplers
Power supply	10...30 VDC
Consumption	≤ 115 mA (10 VDC) ≤ 50 mA (30 VDC)
Power Consumption	≤ 1.5 W
Start time	< 1 s
Singleturn resolution	up to 16 bits
Multiturn resolution	up to 14 bits
Accuracy (INL)	±0.0220° (14 – 16 bits) ±0.0439° (≤13 bits)
Code	Binary
Short circuit protection	Yes
Protection polarity inversion	Yes
EMC: Emitted interference	DIN EN 61000-6-4
EMC: Noise immunity	DIN EN 61000-6-2
MTTF	13,5 years

