

SERIE HS10/HM10

SINGLETURN AND MULTITURN ABSOLUTE BLIND HOLLOW SHAFT ENCODER



MECHANICAL SPECIFICATIONS

Materials	Housing: Steel Flange: Aluminium Shaft: Stainless Steel
Bearings	Ballraces
Shaft diameter	6, 8, 10, 12, 14 or 15 mm
Maximum number of revolutions permitted mechanically	≤ 12000 rpm
Protection according to DIN EN 60529	IP65, IP67
Rotor inertia moment	≤ 30 gcm ²
Starting torque at 20°C (68°F)	≤ 0,03 Nm
Weight aprox.	380 g (connection type 2) 465 g (connection type 3)
Operating temperature range	-40°C to +85°C (connection type 2) -40°C to +70°C (connection type 3)
Storage temperature range	-40°C to +85°C
Humidity	98% RH, not condensed
Vibration according to DIN EN 60068-2-6	100 m/s ² (10Hz...1000Hz)
Shock according to DIN EN 60068-2-27	1000 m/s ² (6ms)
Connection	3 x M12 Connector Mating connectors not included

INTERFACE



Profile	Profidrive Profile 4.x Encoder Profile 4.x
Diagnostics	Memory
Programming functions	Resolution, time base and filter for velocity, preset, counting direction, IP-Address
Features	Boot-Loader, Round Axis, Flashing LEDs
Transmission rate	10 / 100 Mbit
Interface cycle time	≥ 1 ms

ELECTRICAL SPECIFICATIONS

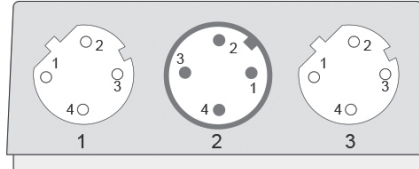
Output Driver	Ethernet
Power supply	10...30 VDC
Consumption	≤ 230 mA (10 VDC) ≤ 100 mA (24 VDC)
Power Consumption	≤ 2.5 W
Start time	< 250 ms
Singleturn resolution	13 bits - 16 bits
Multiturn resolution	12 bits - 14 bits
Accuracy (INL)	±0.0878° (Magnetic) ±0.0439° (Optical)
Code	Binary
Short circuit protection	Yes
Protection polarity inversion	Yes
EMC: Emitted interference	DIN EN 61000-6-4
EMC: Noise immunity	DIN EN 61000-6-2
MTTF	65 years

SERIE HS10/HM10

SINGLETURN AND MULTITURN ABSOLUTE BLIND HOLLOW SHAFT ENCODER



CONNECTION



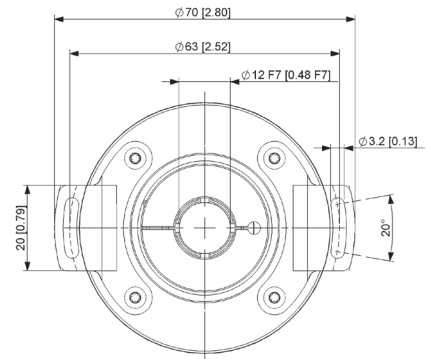
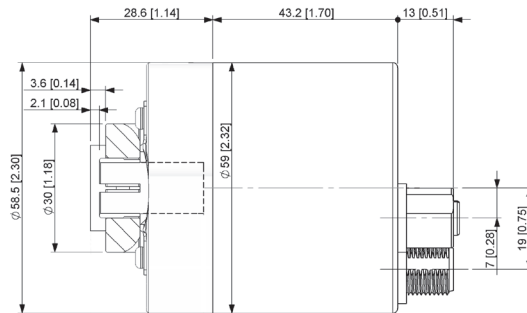
	M12 4p Female d coded	M12 4p Male a coded	M12 4p Female d coded
VCC	-	1	-
GND	-	3	-
Tx+	1	-	1
Rx+	2	-	2
Tx-	3	-	3
Rx-	4	-	4
Not connected	-	2, 4	-

CONNECTION DIMENSIONS

Mating connectors not included

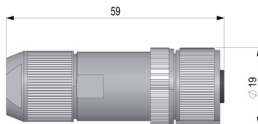
Connection 3

Axial
3 x M12



ACCESSORIES

95.0007076
M12 4p
Female



95.0007077
M12 4p
Male

