



SERIE CM10 IP67

MULTITURN ABSOLUTE ENCODER FOR SEVERE APPLICATIONS

PARALLEL

- Parallel
- Singleturn resolution up to 13 bits
- Multiturn resolution up to 24 bits
- External diameter 58 mm
- Shaft \varnothing 10 mm
- Protection class IP67 according to DIN EN 60529
- Connection by cable (other cable length available)



Optical Encoder



Absolute Encoder



High shaft load capacity



Vibration and shock resistant



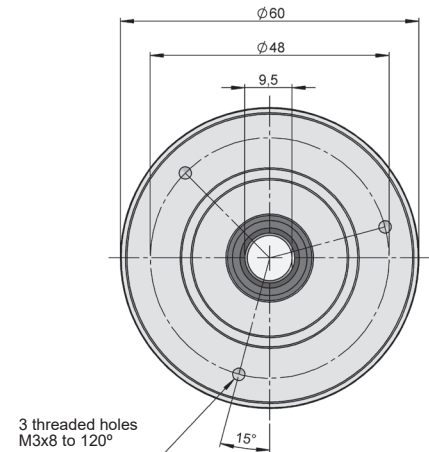
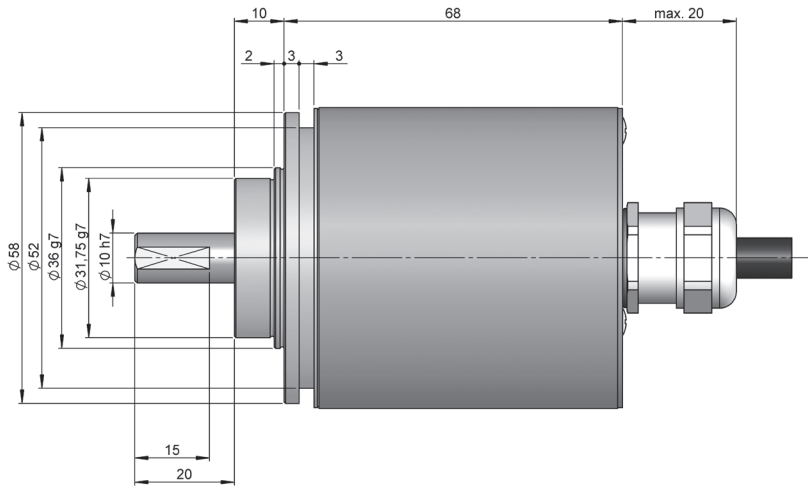
IP 67



Temperature range



Express Delivery



Drawing shaft type 2, connection type 11, without flange

REFERENCE

Reference example: CM10-21110523S-1024/1024

Serie	Solid shaft	Flange	Connection	Interface	Code	IP	Power Supply / Electronic output	Parameters config.	Singleturn resolution	Multiturn resolution	Special customer
CM10 -	<input type="checkbox"/>	<input type="checkbox"/>	<input type="checkbox"/>	<input type="checkbox"/>	<input type="checkbox"/>	<input type="checkbox"/>	<input type="checkbox"/>	<input type="checkbox"/>	<input type="checkbox"/>	<input type="checkbox"/>	<input type="checkbox"/>
	2. \varnothing 10x20 mm	1. None 2. 90.1002 3. 90.1003 4. 90.1004 5. 90.1005 6. 90.1006	11. Axial cable	0. Parallel	1. Binary CW 2. Binary CCW 3. Gray CW 4. Gray CCW 5. Gray excess CW 6. Gray excess CCW	2. Stainless steel IP67 3. IP67	2. 10...30 VDC / NPN 3. 10...30 VDC / Push-Pull 4. 10...30 VDC / NPN OC	Blank. None S. Direction			

Order your reference
Step file 3D

info@encoderhohner.com
service available in 24 h



SERIE CM10 IP67

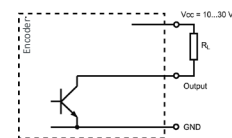
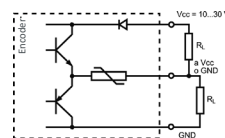
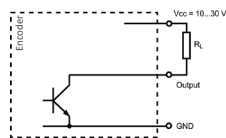
MULTITURN ABSOLUT ENCODER FOR SEVERE APPLICATIONS

PARALLEL

MECHANICAL SPECIFICATIONS

Materials	Housing: Aluminium (IP type 3) / Stainless steel (IP type 2) Flange: Aluminium Shaft: Stainless Steel
Bearings	Ballraces
Bearings lifetime	1x10 ¹⁰ rev.
Shaft diameter	10 mm
Maximum number of revolutions permitted mechanically	6000 rpm
Protection according to DIN EN 60529	IP67
Rotor inertia moment	30 gcm ²
Starting torque at 20°C (68°F)	≤ 0,02 Nm
Maximum load permitted on axial shaft	40 N
Maximum load permitted on radial shaft	60 N
Weight aprox.	0,5 Kg
Operating temperature range	-10°C to +70°C
Vibration	100 m/s ² (10Hz...2000Hz)
Shock	1000 m/s ² (6ms)
Axial connection	2 meters cable (other cable lengths available on order)

OUTPUT SIGNALS



OUTPUT CIRCUIT	NPN	Push-Pull	NPN Open Collector
Reference code	2	3	4
Power supply	10...30 VDC	10...30 VDC	10...30 VDC
Consumption max.	150 mA	150 mA	150 mA
Max. load capability / channel	40 mA	±30 mA	40 mA
"Low" signal level	VOL < 2.5 VDC	VOL < 2.5 VDC	VOL < 2.5 VDC
"High" signal level	VOH > VCC - 3V	VOH > VCC - 3V	VOH > VCC - 3V
Frequency	200 kHz	200 kHz	200 kHz

ELECTRICAL SPECIFICATIONS

Interface	Parallel
Inputs	Opto-coupled
Code	Binary Gray
Singleturn resolution	up to 8192 points per turn (13 bits) (*)
Multiturn resolution	up to 4096 turns (12 bits)
Linearity	± 1/2 LSB
Parameters config.	Direction

(*) 8192 points per turn (13 bits) only available for multiturn resolution up to 2048 points per turn (11 bits).

SERIE CM10 IP67

MULTITURN ABSOLUT ENCODER FOR SEVERE APPLICATIONS

PARALLEL

CONNECTION



	Cable 15 x 0.14 mm ² 95.0008031	Cable 25 x 0.14 mm ² 95.0008030	Cable 36 x 0.14 mm ² 95.0008032
GND	Black	Black	Black
VCC	Red	Red	Red
Bit 0	Brown	Brown	Brown
Bit 1	White	White	White
Bit 2	Yellow	Yellow	Yellow
Bit 3	Green	Green	Green
Bit 4	Orange	Pink	Pink
Bit 5	Violet	Orange	Orange
Bit 6	Grey	Grey	Grey
Bit 7	Blue	Blue	Blue
Bit 8	White - Black	Yellow - Black	Yellow - Black
Bit 9	White - Red	Yellow - Red	Yellow - Red
Bit 10	White - Brown	Yellow - Brown	Yellow - Brown
Bit 11	White - Yellow	Yellow - Green	Yellow - Green
Bit 12	White - Blue	Yellow - Grey	Yellow - Pink
Bit 13		Yellow - Blue	Yellow - Grey
Bit 14		White - Black	Yellow - Blue
Bit 15		White - Red	White - Black
Bit 16			White - Red
Bit 17			White - Brown
Bit 18			White - Green
Bit 19			White - Pink
Bit 20			White - Orange
Bit 21			White - Grey
Bit 22			White - Blue
Bit 23			Green - Black
DIR	White - Yellow	White - Pink	Grey - Brown
RES	White - Blue	White - Blue	Grey - Blue

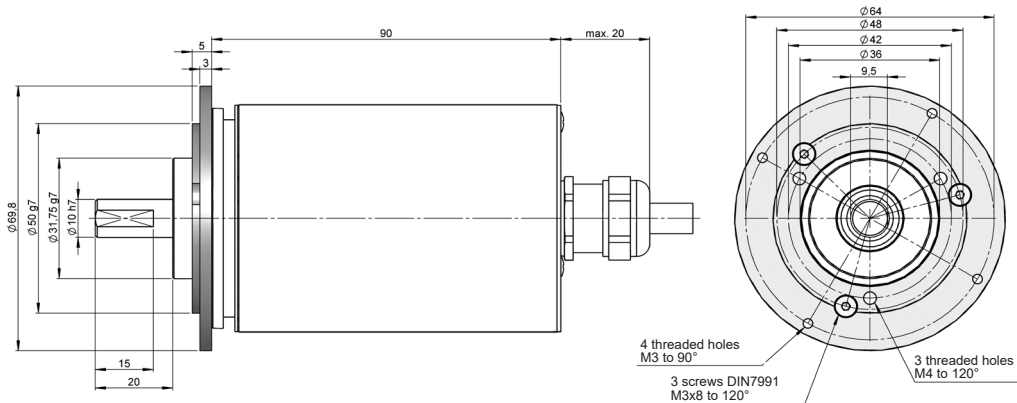
SERIE CM10 IP67

MULTITURN ABSOLUT ENCODER FOR SEVERE APPLICATIONS

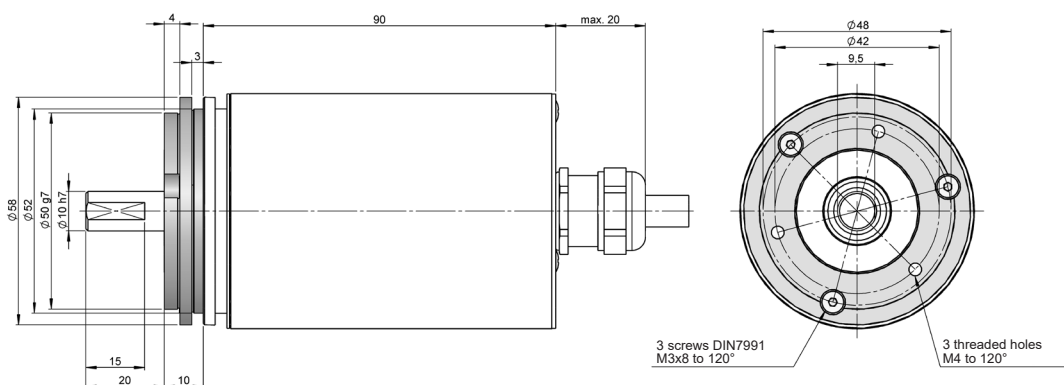
PARALLEL

FLANGE DIMENSIONS

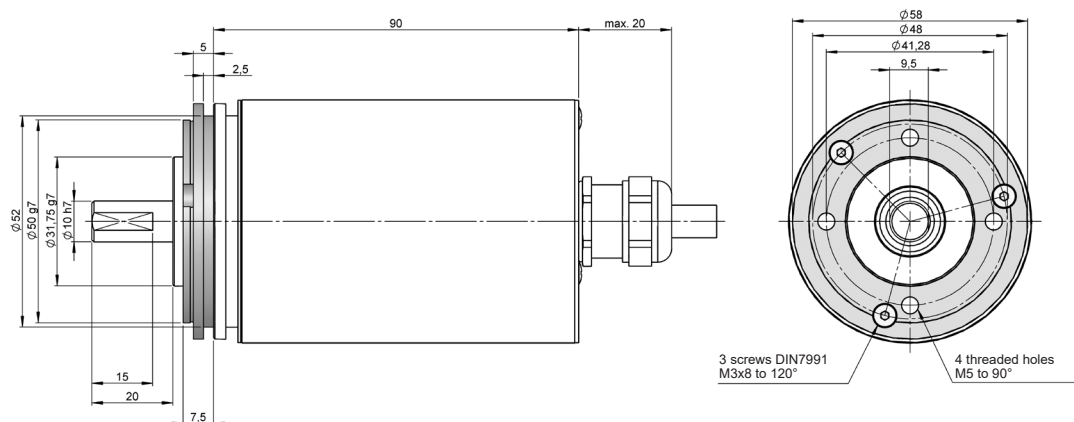
Flange 2
90.1002



Flange 3
90.1003



Flange 4
90.1004

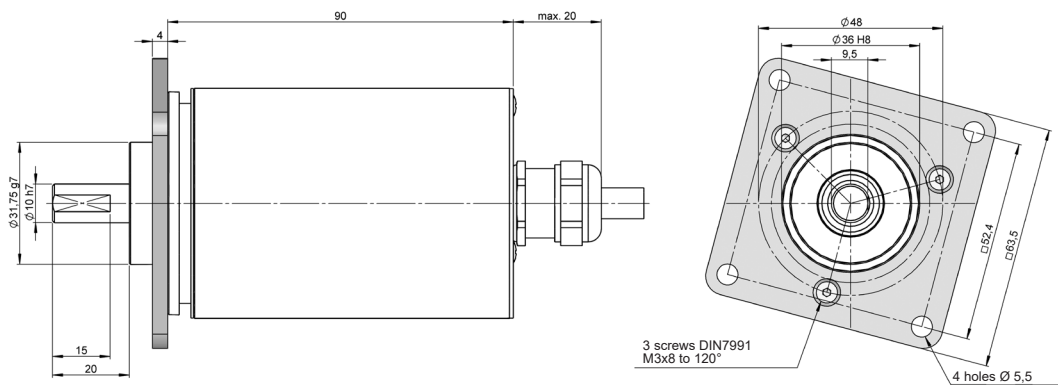


SERIE CM10 IP67

MULTITURN ABSOLUT ENCODER FOR SEVERE APPLICATIONS

PARALLEL

Flange 5
90.1005



Flange 6
90.1006

