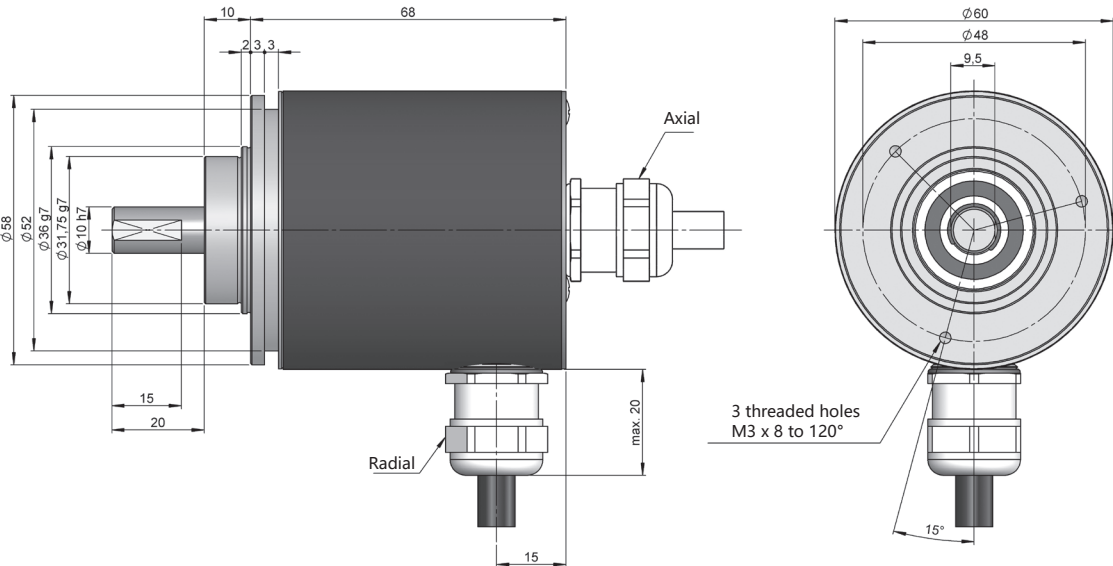




SERIE CS10

SINGLETURN ABSOLUTE ENCODER PARALLEL

- Parallel
- Singleturn resolution up to 13 bits
- External diameter 58 mm
- Shaft \varnothing 6 or 10 mm
- Protection class IP65 according to DIN EN 60529
- Connection by cable (other cable length available) or industrial connector



Drawing shaft type 2, connection type 11/12, without flange

REFERENCE

Reference example: CS10-12110212S-4096

Serie	Solid shaft	Flange	Connection	Interface	Code	IP	Power Supply / Electronic output	Parameters config.	Singleturn resolution	Special customer
CS10 -	<input type="checkbox"/>	<input type="checkbox"/>	<input type="checkbox"/>	<input type="checkbox"/>	<input type="checkbox"/>	<input type="checkbox"/>	<input type="checkbox"/>	<input type="checkbox"/>	<input type="checkbox"/>	<input type="checkbox"/>
	1. \varnothing 6x10 mm 2. \varnothing 10x20 mm	1. None 2. 90.1002 3. 90.1003 4. 90.1004 5. 90.1005 6. 90.1006	11. Axial cable 12. Radial cable 31. Axial M23 12p 32. Radial M23 12p 41. Axial M23 16p 42. Radial M23 16p 51. Axial M27 21p 52. Radial M27 21p	0. Parallel	1. Binary CW 2. Binary CCW 3. Gray CW 4. Gray CCW 5. Gray excess CW 6. Gray excess CCW 7. BCD CW 8. BCD CCW	1. IP65	2. 10...30 VDC / NPN 3. 10...30 VDC / Push-Pull 4. 10...30 VDC / NPN OC	Blank. None S. Direction		

Order your reference
Step file 3D

info@encoderhohner.com
service available in 24 h



SERIE CS10

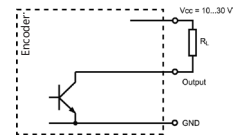
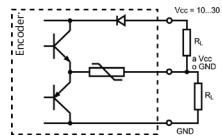
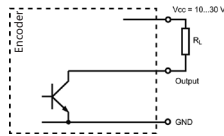
SINGLETURN ABSOLUTE ENCODER

PARALLEL

MECHANICAL SPECIFICATIONS

Materials	Cover: Steel Housing: Aluminium Shaft: Stainless Steel
Bearings	Ballraces
Bearings lifetime	1x10 ¹⁰ rev.
Shaft diameter	6 or 10 mm
Maximum number of revolutions permitted mechanically	6000 rpm
Protection against dust and splashes according to DIN EN 60529	IP65
Rotor inertia moment	30 gcm ²
Starting torque at 20°C (68°F)	≤ 0,02 Nm
Maximum load permitted on axial shaft	40 N
Maximum load permitted on radial shaft	60 N
Weight aprox.	0.4 Kg
Operating temperature range	-10°C to +70°C
Vibration	100 m/s ² (10Hz...2000Hz)
Shock	1000 m/s ² (6ms)
Axial or radial connection	2 meters cable or industrial connector (other cable lengths available on order) Female connector not included

OUTPUT SIGNALS



OUTPUT CIRCUIT	NPN	Push-Pull	NPN Open Collector
Reference code	2	3	4
Power supply	10...30 VDC	10...30 VDC	10...30 VDC
Consumption max.	100 mA	100 mA	100 mA
Max. load capability / channel	40 mA	±30 mA	40 mA
“Low” signal level	VOL < 2.5 VDC	VOL < 2.5 VDC	VOL < 2.5 VDC
“High” signal level	VOH > VCC - 3V	VOH > VCC - 3V	VOH > VCC - 3V
Frequency	200 kHz	200 kHz	200 kHz

ELECTRICAL SPECIFICATIONS

Interface	Parallel
Inputs	Opto-coupled
Code	Binary Gray BCD
Singleturn resolution	up to 8192 points per turn (13 bits)
Linearity	±1/2 LSB
Parameters config.	Direction

SERIE CS10

SINGLETURN ABSOLUTE ENCODER

PARALLEL

CONNECTION

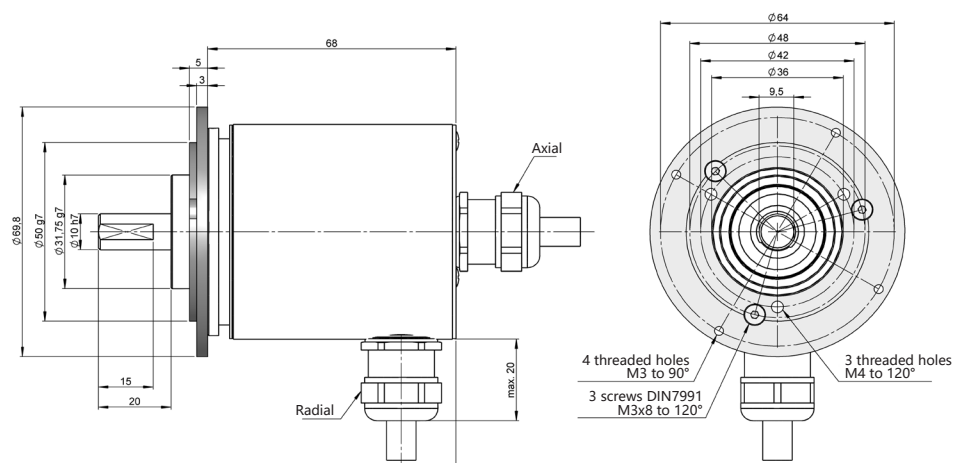


	Cable 15x0.14 mm ² 95.0008031	Cable 25x0.14 mm ² 95.0008030	Connector M23 12p CW	Connector M23 16p CW	Connector M27 21p CW
GND	Black (BK)	Black (BK)	1	1	1
+UB	Red (RD)	Red (RD)	2	2	2
Bit 0	Brown (BN)	Brown (BN)	3	3	3
Bit 1	White (WH)	White (WH)	4	4	4
Bit 2	Yellow (YE)	Yellow (YE)	5	5	5
Bit 3	Green (GN)	Green (GN)	6	6	6
Bit 4	Orange (OG)	Pink (PK)	7	7	7
Bit 5	Violet (VT)	Orange (OG)	8	8	8
Bit 6	Grey (GY)	Grey (GY)	9	9	9
Bit 7	Blue (BU)	Blue (BU)	10	10	10
Bit 8	White (WH) - Black (BK)	Yellow (YE) - Black (BK)	11	11	11
Bit 9	White (WH) - Red (RD)	Yellow (YE) - Red (RD)	12	12	12
Bit 10	White (WH) - Brown (BN)	Yellow (YE) - Brown (BN)	-	13	13
Bit 11	White (WH) - Yellow (YE)	Yellow (YE) - Green (GN)	-	14	14
Bit 12	White (WH) - Blue (BU)	Yellow (YE) - Grey (GY)	-	15	15
Bit 13	-	Yellow (YE) - Blue (BU)	-	16	16
Bit 14	-	White (WH) - Black (BK)	-	-	17
Bit 15	-	White (WH) - Red (RD)	-	-	18
DIR (*)	White (WH) - Yellow (YE)	Yellow (YE) - Pink (PK)	11	15	20

(*) To invert the code sense connect permanently the pin DIR to GND (ground).

FLANGE DIMENSIONS

Flange 2
90.1002

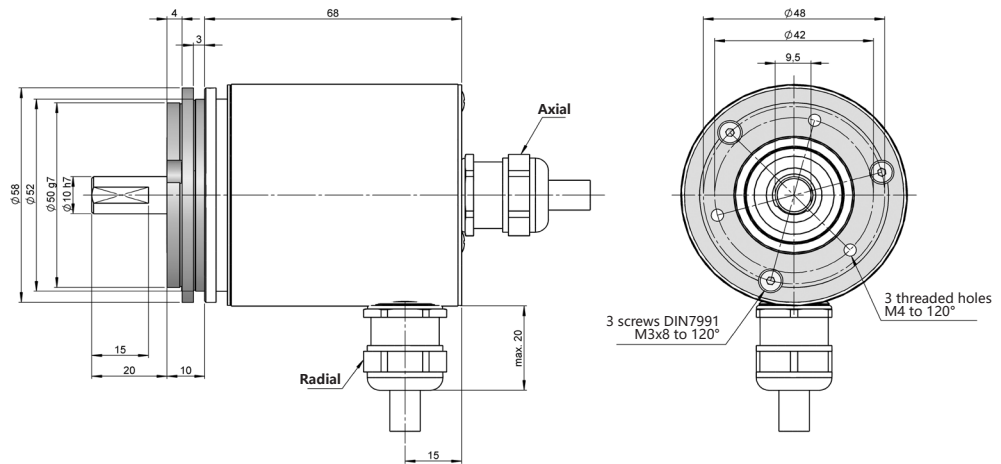


SERIE CS10

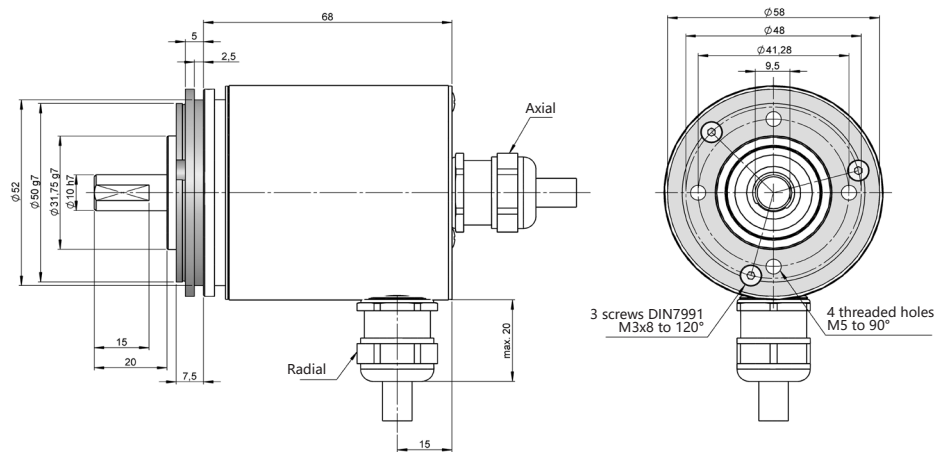
SINGLETURN ABSOLUTE ENCODER

PARALLEL

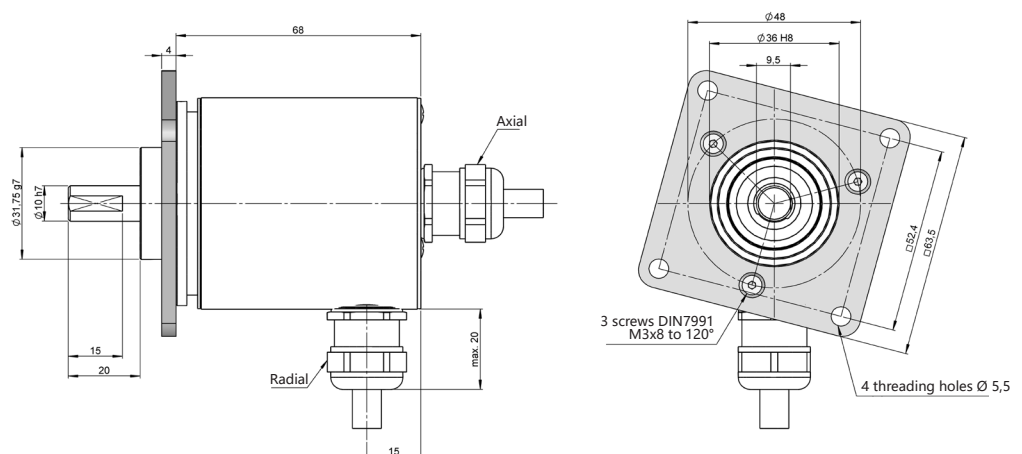
Flange 3
90.1003



Flange 4
90.1004



Flange 5
90.1005

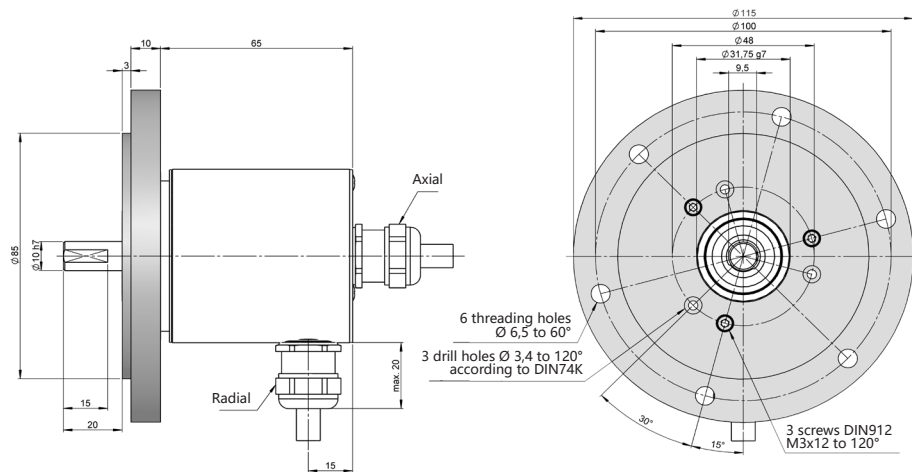


SERIE CS10

SINGLETURN ABSOLUTE ENCODER

PARALLEL

Flange 6
90.1006

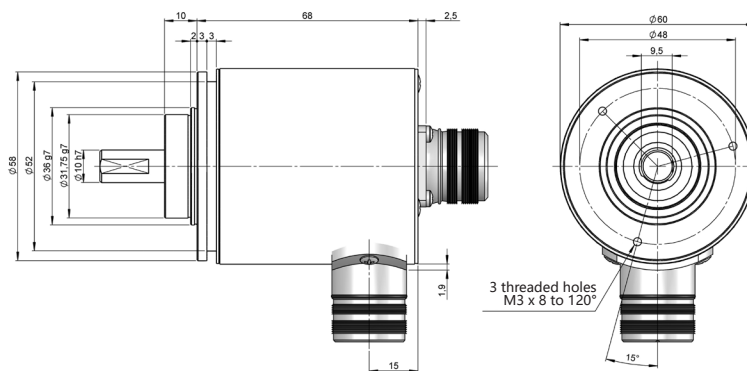


CONNECTION DIMENSIONS

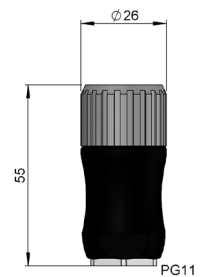
Female connector not included

Connection 31

Axial
M23 12p
male panel
clockwise

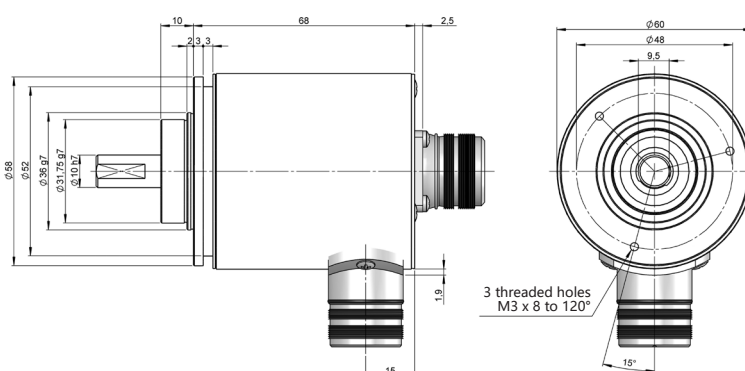


Female connector
95.0007131

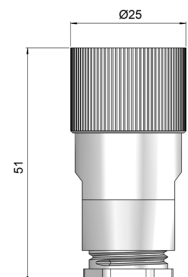


Connection 32

Radial
M23 12p
male panel
clockwise



Female connector
95.0007006



Connection 41

Axial
M23 16p
male panel
clockwise

Connection 42

Radial
M23 16p
male panel
clockwise

SERIE CS10

SINGLETURN ABSOLUTE ENCODER

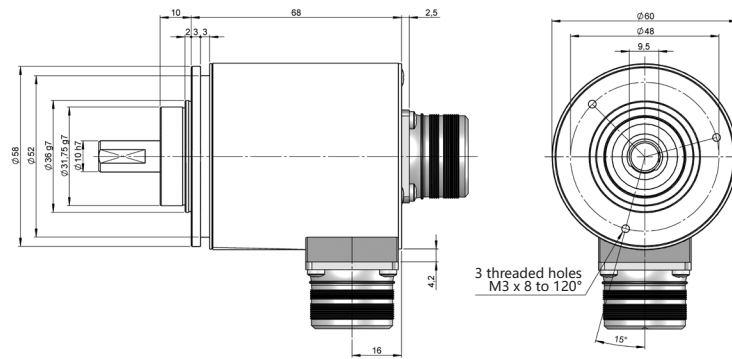
PARALLEL

Connection 51

Axial
21p
male panel
clockwise

Connection 52

Radial
21p
male panel
clockwise



Female connector
95.0007062

