



Image with flange 90.1008



SERIE CS30

ABSOLUTE ENCODER FOR HEAVY DUTY INDUSTRIAL APPLICATIONS

PARALLEL

- Parallel
- Singleturn resolution up to 13 bits
- External diameter 90 mm
- Shaft \varnothing 12 mm
- Protection class IP65 according to DIN EN 60529
- Connection by cable (other cable length available) or industrial connector



Optical Encoder



Absolute Encoder



High shaft load capacity



Vibration and shock resistant



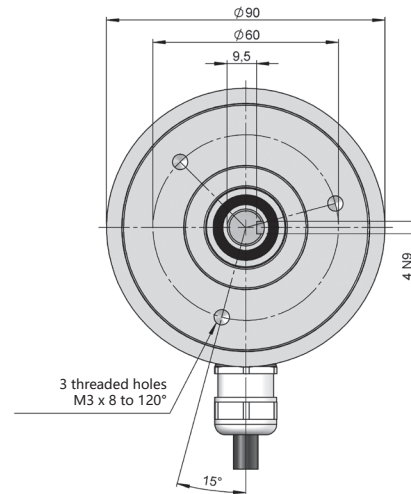
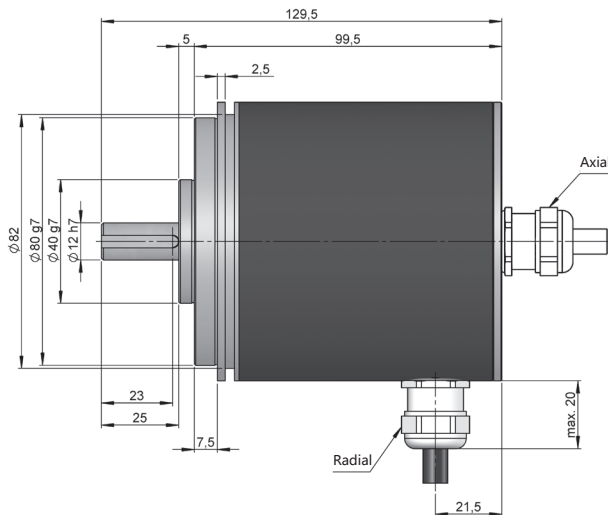
IP65



Temperature range



Express Delivery



Drawing shaft type 2, connection type 11/12, without flange

REFERENCE

Reference example: CS30-21120212S-1024

Serie	Solid shaft	Flange	Connection	Interface	Code	IP	Power Supply / Electronic output	Parameters config.	Singleturn resolution	Special customer
CS30 -	<input type="checkbox"/>	<input type="checkbox"/>	<input type="checkbox"/>	<input type="checkbox"/>	<input type="checkbox"/>	<input type="checkbox"/>	<input type="checkbox"/>	<input type="checkbox"/>	<input type="checkbox"/>	<input type="checkbox"/>
	2. \varnothing 12x25 mm	1. None 3. 90.1008	11. Axial cable 12. Radial cable 31. Axial M23 12p 32. Radial M23 12p 41. Axial M23 16p 42. Radial M23 16p 51. Axial M27 21p 52. Radial M27 21p 61. Axial M27 26p 62. Radial M27 26p	0. Parallel	1. Binary CW 2. Binary CCW 3. Gray CW 4. Gray CCW 5. Gray excess CW 6. Gray excess CCW 7. BCD CW 8. BCD CCW	1. IP65	2. 10...30 VDC / NPN 3. 10...30 VDC / Push-Pull 4. 10...30 VDC / NPN OC	Blank. None S. Direction		

Order your reference Step file 3D

info@encoderhohner.com
service available in 24 h



SERIE CS30

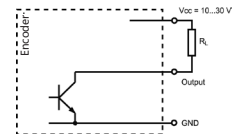
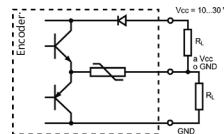
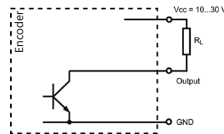
ABSOLUTE ENCODER FOR HEAVY DUTY INDUSTRIAL APPLICATIONS

PARALLEL

MECHANICAL SPECIFICATIONS

Materials	Cover: Steel Housing: Aluminium Shaft: Stainless Steel
Bearings	Ballraces
Bearings lifetime	1x10 ¹⁰ rev.
Shaft diameter	12 mm
Maximum number of revolutions permitted mechanically	6000 rpm
Protection against dust and splashes according to DIN EN 60529	IP65
Rotor inertia moment	270 gcm ²
Starting torque at 20°C (68°F)	≤ 0.05 Nm
Maximum load permitted on axial shaft	80 N
Maximum load permitted on radial shaft	100 N
Weight aprox.	1.2 Kg
Operating temperature range	-10°C to +70°C
Vibration	100 m/s ² (10Hz...2000Hz)
Shock	1000 m/s ² (6ms)
Axial or radial connection	2 meters cable or industrial connector (other cable lengths available on order) Female connector not included

OUTPUT SIGNALS



OUTPUT CIRCUIT	NPN	Push-Pull	NPN Open Collector
Reference code	2	3	4
Power supply	10...30 VDC	10...30 VDC	10...30 VDC
Consumption max.	100 mA	100 mA	100 mA
Max. load capability / channel	40 mA	±30 mA	40 mA
“Low” signal level	VOL < 2.5 VDC	VOL < 2.5 VDC	VOL < 2.5 VDC
“High” signal level	VOH > VCC - 3V	VOH > VCC - 3V	VOH > VCC - 3V
Frequency	200 kHz	200 kHz	200 kHz

ELECTRICAL SPECIFICATIONS

Interface	Parallel
Inputs	Opto-coupled
Code	Binary Gray BCD
Singleturn resolution	up to 8192 points per turn (13 bits)
Linearity	±1/2 LSB
Parameters config.	Direction

SERIE CS30

ABSOLUTE ENCODER FOR HEAVY DUTY INDUSTRIAL APPLICATIONS

PARALLEL

CONNECTION

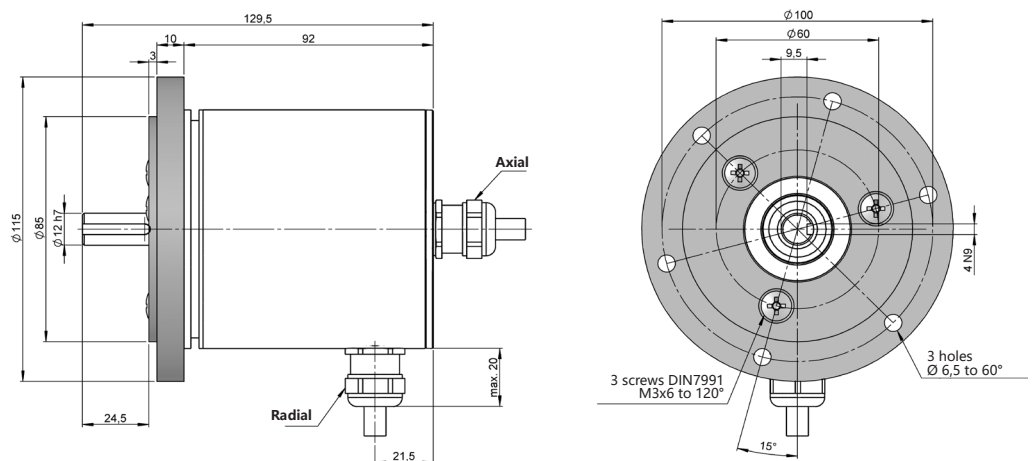


	Cable 15x0.14 mm ² 95.0008031	Cable 25x0.14 mm ² 95.0008030	Connector M23 12p CW	Connector M23 16p CW	Connector M27 21p CW	Connector M27 26p CW
GND	Black (BK)	Black (BK)	1	1	1	1
+UB	Red (RD)	Red (RD)	2	2	2	2
Bit 0	Brown (BN)	Brown (BN)	3	3	3	3
Bit 1	White (WH)	White (WH)	4	4	4	4
Bit 2	Yellow (YE)	Yellow (YE)	5	5	5	5
Bit 3	Green (GN)	Green (GN)	6	6	6	6
Bit 4	Orange (OG)	Pink (PK)	7	7	7	7
Bit 5	Violet (VT)	Orange (OG)	8	8	8	8
Bit 6	Grey (GY)	Grey (GY)	9	9	9	9
Bit 7	Blue (BU)	Blue (BU)	10	10	10	10
Bit 8	White (WH) - Black (BK)	Yellow (YE) - Black (BK)	11	11	11	11
Bit 9	White (WH) - Red (RD)	Yellow (YE) - Red (RD)	12	12	12	12
Bit 10	White (WH) - Brown (BN)	Yellow (YE) - Brown (BN)	-	13	13	13
Bit 11	White (WH) - Yellow (YE)	Yellow (YE) - Green (GN)	-	14	14	14
Bit 12	White (WH) - Blue (BU)	Yellow (YE) - Grey (GY)	-	15	15	15
Bit 13	-	Yellow (YE) - Blue (BU)	-	16	16	16
Bit 14	-	White (WH) - Black (BK)	-	-	17	17
Bit 15	-	White (WH) - Red (RD)	-	-	18	18
DIR (*)	White (WH) - Yellow (YE)	Yellow (YE) - Pink (PK)	11	15	20	25

(*) To invert the code sense connect permanently the pin DIR to GND (ground).

FLANGE DIMENSIONS

Flange 3
90.1008



SERIE CS30

ABSOLUTE ENCODER FOR HEAVY DUTY INDUSTRIAL APPLICATIONS

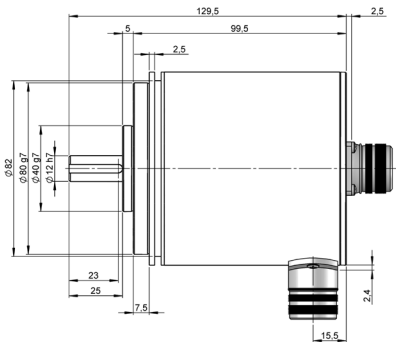
PARALLEL

CONNECTION DIMENSIONS

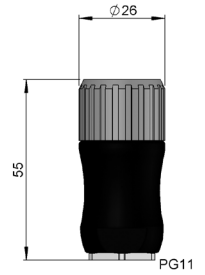
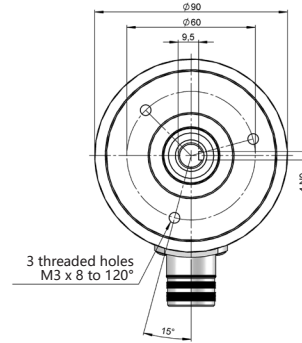
Female connector not included

Connection 31

Axial
M23 12p
male panel
clockwise

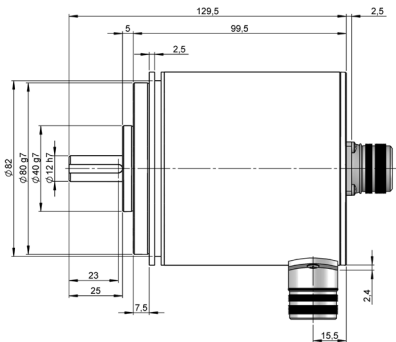


Female connector
95.0007131

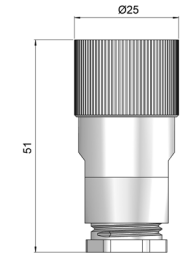
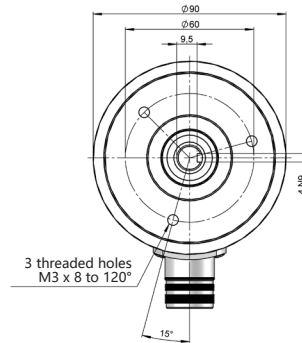


Connection 32

Radial
M23 12p
male panel
clockwise

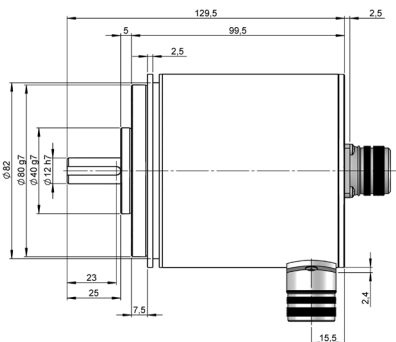


Female connector
95.0007006

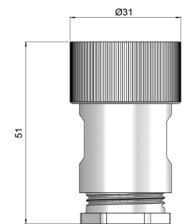
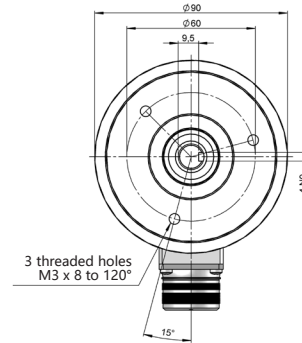


Connection 41

Axial
M23 16p
male panel
clockwise

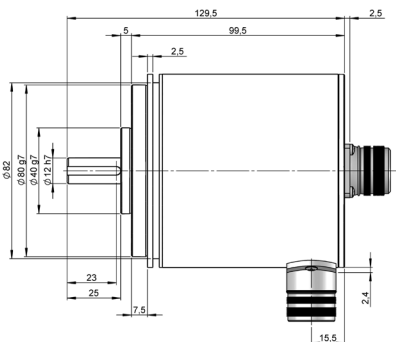


Female connector
95.0007062



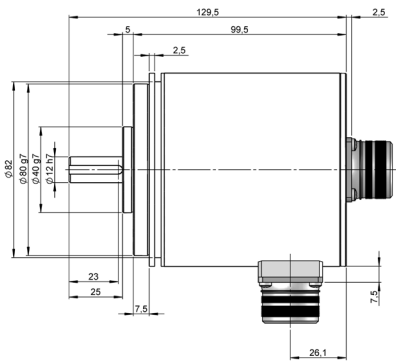
Connection 42

Radial
M23 16p
male panel
clockwise



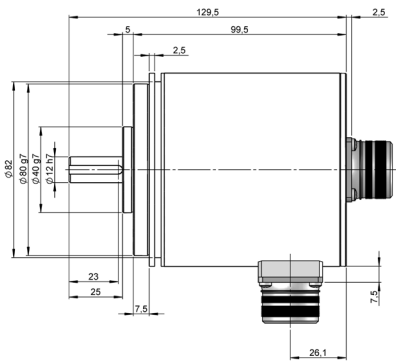
Connection 51

Axial
24p
male panel
clockwise



Connection 52

Radial
24p
male panel
clockwise



SERIE CS30

ABSOLUTE ENCODER FOR HEAVY DUTY INDUSTRIAL APPLICATIONS

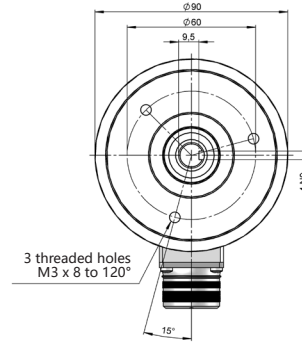
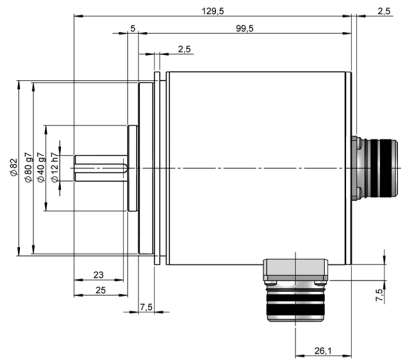
PARALLEL

Connection 61

Axial
26p
male panel
clockwise

Connection 62

Radial
26p
male panel
clockwise



Female connector
95.0007063

