



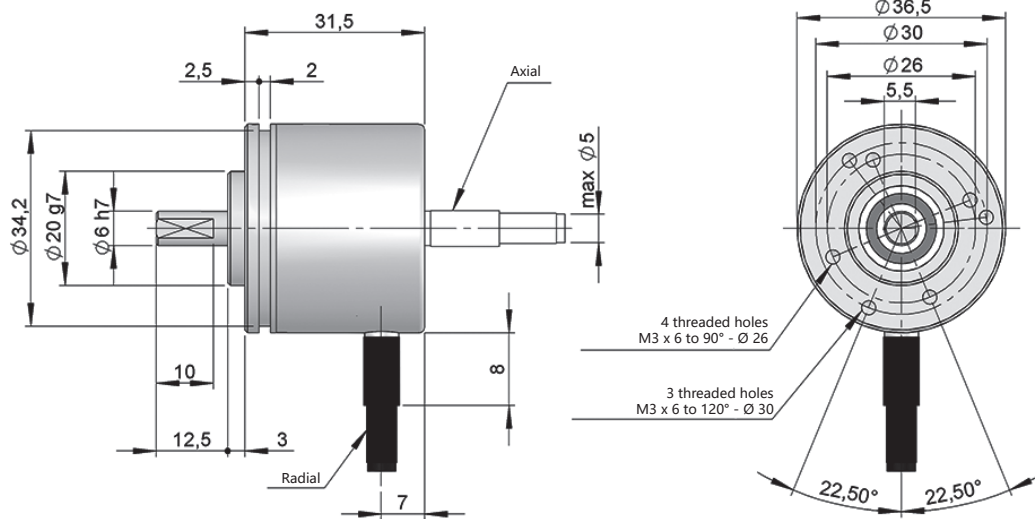
# SERIE E36 CS

MINIATURE SOLID SHAFT ABSOLUTE SINGLETURN ENCODER



- Singleturn resolution up to 13 bits
- Magnetic technology
- External diameter 36,5 mm
- Shaft Ø 6 mm
- Protection class IP64 according to DIN EN 60529
- Connection by cable (other cable length available)

Magnetic Encoder	Absolute Encoder	Miniature Encoder	Vibration and shock resistant	IP64	Temperature range -40°C	Express Delivery



Drawing shaft type 1, connection type 1/2

**REFERENCE** Reference example: E36CS-SSI-1231-12

Serie	Interface	Solid shaft	Connection	Code	Power Supply / Electronic output	Singleturn resolution	Special customer
E36CS -	SSI -	<input type="checkbox"/>	<input type="checkbox"/>	<input type="checkbox"/>	<input type="checkbox"/> -	<input type="checkbox"/> <input type="checkbox"/>	<input type="checkbox"/> <input type="checkbox"/> <input type="checkbox"/> <input type="checkbox"/>
	SSI. SSI	1. Ø 6 mm	1. Axial cable 2. Radial cable 3. Radial M12 8p CCW	1. Binary CW 2. Binary CCW 3. Gray CW 4. Gray CCW	1. 4,75...30 VDC / RS422	09. 9 bits 10. 10 bits 11. 11 bits 12. 12 bits 13. 13 bits	

**Order your reference**  
**Step file 3D**  
[info@encoderhohner.com](mailto:info@encoderhohner.com)  
 service available in 24 h



# SERIE E36 CS


## MINIATURE SOLID SHAFT ABSOLUTE SINGLETURN ENCODER



### MECHANICAL SPECIFICATIONS

Materials	Cover: Aluminium Housing: Aluminium Shaft: Stainless Steel
Bearings	Ballraces
Bearings lifetime	1x10 <sup>10</sup> rev.
Maximum number of revolutions permitted mechanically	6000 rpm - Standard 10000 rpm - Upon request 12000 rpm (≤ 12 bits) - Upon request
Protection against dust and splashes according to DIN EN 60529	IP64
Rotor inertia moment	2 gcm <sup>2</sup>
Starting torque at 20°C (68°F)	≤ 0,01 Nm
Maximum load permitted on axial shaft	20 N
Maximum load permitted on radial shaft	40 N
Weight aprox.	0.08 Kg
Operating temperature range	-40°C to +105°C
Vibration according to DIN EN 60068-2-6	100 m/s <sup>2</sup> (10Hz...2000Hz)
Shock according to DIN EN 60068-2-27	1000 m/s <sup>2</sup> (6ms)
Axial or radial connection	2 meters cable (other cable lengths available on order)

### ELECTRICAL SPECIFICATIONS

Interface	
Electronic output	RS422
Power supply (VDC)	4.75...30 VDC
Consumption	≤ 100 mA
Code	Binary Gray
Protocol	SSI
Singleturn resolution	up to 13 bits
Absolute accuracy	±0.35°
Relative accuracy	±1.5 LSB
Max. load capability / channel	±20 mA
“Low” signal level	< 0.8 VDC
“High” signal level	2 ... 5.5 VDC
Frequency	50 kHz...2 MHz
Short circuit protection	Yes
Protection polarity inversion	Yes

### CONNECTION



	Cable 8x0.14 mm <sup>2</sup> 95.0008052	Connector M12 8P CCW
GND	White (WH)	1
+UB	Brown (BN)	2
DT+	Yellow (YE)	5
DT-	Pink (PK)	6
CK+	Green (GN)	3
CK-	Grey (GY)	4
PRESET (*)	Red (RD)	7
DIR (**)	Blue (BU)	8

(\*) Apply a 4.75...30 VDC pulse (more than 1 ms) to set the encoder to Zero and reboot the encoder (turn off and then turn on the power supply).

(\*\*) Connect to 4.75...30 VDC to change direction from default. If this input is not used, it should be connected to GND in order to avoid interferences. The encoder must be always rebooted (turn off and then turn on the power supply) after switching.

# SERIE E36 CS

MINIATURE SOLID SHAFT ABSOLUTE SINGLETURN ENCODER

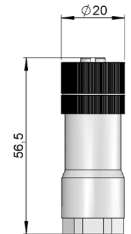
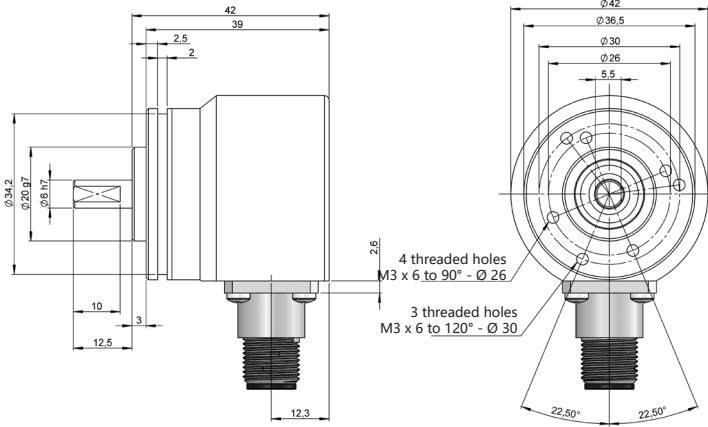


## CONNECTION DIMENSIONS

Female connector not included

### Connection 3

Radial  
M12 8p  
male panel  
counter clockwise



**Female connector**  
95.0007152



**Pre-assembled cable**  
89.003.02.000.XX  
Length in meters