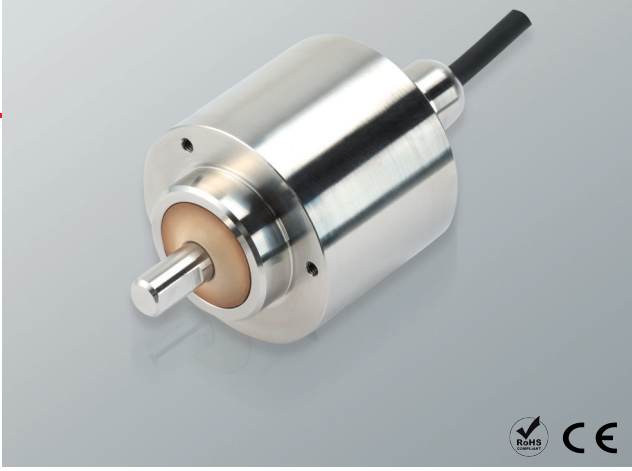


SERIE E58K CS

SOLID SHAFT ABSOLUTE SINGLETURN ENCODER FOR HEAVY DUTY INDUSTRIAL APPLICATIONS



- Singleturn resolution up to 13 bits
- Magnetic technology
- External diameter 58 mm
- Shaft Ø 10 mm
- Protection class IP69K according to DIN EN 60529
- Connection by cable (other cable length available) or M12 connector appropriate for the food and pharmaceutical industry
- ECOLAB certification
- Designed according to EHEDG criteria
- Laser engraved label



Magnetic Encoder



Absolute Encoder



High shaft load capacity



Vibration and shock resistant



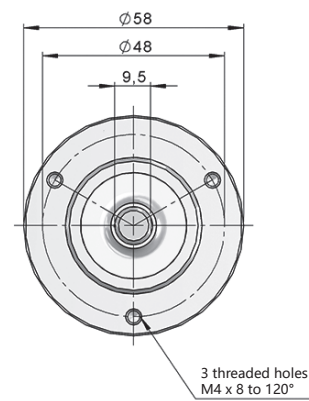
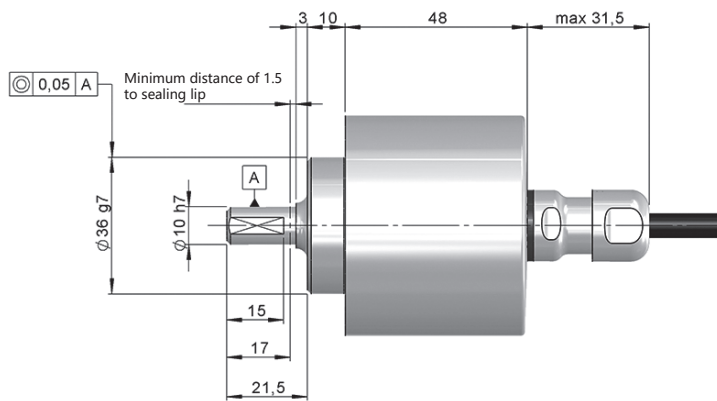
IP69K



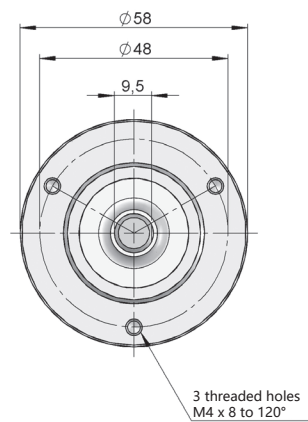
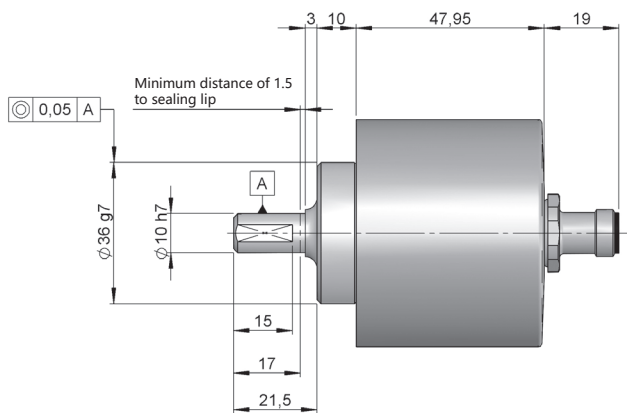
Stainless Steel AISI 316



Express Delivery



Drawing shaft type 1, connection type 8, without flange



Drawing shaft type 1, connection type K, without flange



SERIE E58K CS

SOLID SHAFT ABSOLUTE SINGLETURN ENCODER FOR HEAVY DUTY INDUSTRIAL APPLICATIONS

SSI IP69K

REFERENCE Reference example: E58KCS-SSI-11831-13

| Serie | Interface | Solid shaft | Flange | Connection | Code | Power Supply / Electronic output | Singleturn resolution | Special customer |
|-----------------|--------------|--------------------------|--------------------------|---|--|-------------------------------------|--|---|
| E58KCS - | SSI - | <input type="checkbox"/> | <input type="checkbox"/> | <input type="checkbox"/> | <input type="checkbox"/> | <input type="checkbox"/> - | <input type="checkbox"/> <input type="checkbox"/> | <input type="checkbox"/> <input type="checkbox"/> <input type="checkbox"/> <input type="checkbox"/> |
| | SSI. SSI | 1. Ø 10x20 mm (*) | 1. None | 8. Axial cable (**) K. Axial M12 8p CCW (***) | 1. Binary CW 2. Binary CCW 3. Gray CW 4. Gray CCW | 1. 4,75...30 VDC / RS422 | 09. 9 bits 10. 10 bits 11. 11 bits 12. 12 bits 13. 13 bits | |

**Order your reference
Step file 3D**

info@encoderhohner.com
service available in 24 h

(*) Useful shaft surface, max. 17 mm.

(**) Standard cable length 2m, other length available on order.

(***) Female connector not included. Code to order in accessories.

MECHANICAL SPECIFICATIONS


| | |
|--|--|
| Materials | Cover: Stainless Steel AISI316 Housing: Stainless Steel AISI316 Shaft: Stainless Steel AISI316 Cable: TPE |
| Bearings | Ballraces |
| Bearings lifetime | 1x10 ¹⁰ rev. |
| Maximum number of revolutions permitted mechanically | 3600 rpm |
| Protection against dust and splashes according to DIN EN 60529 | IP69K |
| Rotor inertia moment | 30 gcm ² |
| Starting torque at 20°C (68°F) | ≤ 0.02 Nm aprox. |
| Maximum load permitted on axial shaft | 100 N |
| Maximum load permitted on radial shaft | 100 N |
| Weight aprox. | 0.7 Kg |
| Operating temperature range | -20°C to +80°C - Standard -40°C to +80°C - Special Customer AT00 |
| Vibration according to DIN EN 60068-2-6 | 100 m/s ² (10Hz...2000Hz) |
| Shock according to DIN EN 60068-2-27 | 1000 m/s ² (6ms) |
| Maximum pulses per turn | 50000 |
| Axial connection | 2 meters cable (other cable lengths available on order) or Industrial connector M12 8p CCW. Female connector not included. |

SERIE E58K CS

SOLID SHAFT ABSOLUTE SINGLETURN ENCODER FOR HEAVY DUTY INDUSTRIAL APPLICATIONS

SSI IP69K

ELECTRICAL SPECIFICATIONS

| | |
|--------------------------------|---|
| Interface |  |
| Electronic output | RS422 |
| Power supply (VCC) | 4,75...30 VDC |
| Consumption | ≤ 100 mA |
| Code | Binary Gray |
| Protocol | SSI |
| Singleturn resolution | up to 13 bits |
| Absolute accuracy | ±0,35° |
| Relative accuracy | ±1,5 LSB |
| Max. load capability / channel | ±20 mA |
| “Low” signal level | < 0,8 VDC |
| “High” signal level | 2 ... 5,5 VDC |
| Frequency | 50 kHz...2 MHz |
| Short circuit protection | Yes |
| Protection polarity inversion | Yes |

CONNECTION



| | Cable TPE 4x2x0.14 95.0008069 | Connector M12 8p CCW |
|-----------|-------------------------------------|----------------------------|
| GND | Brown (BN)-White (WH) | 1 |
| +UB | Brown (BN) | 2 |
| D | Green (GN) | 3 |
| \bar{D} | Green (GN)-White (WH) | 5 |
| C | Blue (BU) | 4 |
| \bar{C} | Blue (BU)-White (WH) | 6 |
| DIR | Orange (OG) | 7 |
| PRESET | Orange (OG)-White (WH) | 8 |

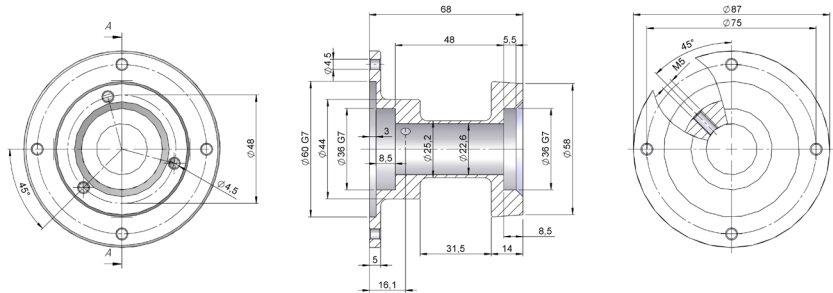
ACCESSORIES

not included



Coupling bell 90.1610

Hygienically designed to be in compliance with EHEDG criteria.



Mounting kit included: Flat seal D8 (1u) Cap M5 (1u), Flat seal Ø87 (1u), Flat seal Ø58 (1u), Sealing washer M4 EHEDG (7u), Screw EHEDG (7u).

* Send us your 3D and we will design the bell for your application.

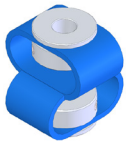
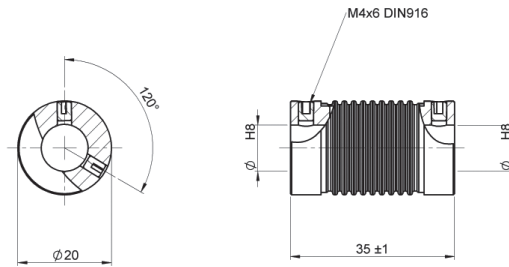
SERIE E58K CS

SOLID SHAFT ABSOLUTE SINGLETURN ENCODER FOR HEAVY DUTY INDUSTRIAL APPLICATIONS

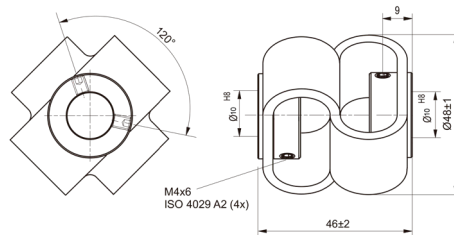
SSI IP69K



Coupling BFP-2035 10/10
Recommended coupling for 90.1610 coupling bell.



Coupling GFPI 20 10/10
Double loop stainless steel coupling, not compatible with coupling bell 90.1610.



Female connector 95.0007571

For M12 8p CCW connector
1,5 m cable.

Female connector 95.0007573

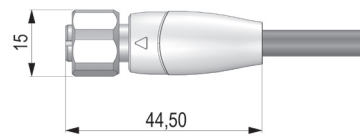
For M12 8p CCW connector
3 m cable.

Female connector 95.0007574

For M12 8p CCW connector
5 m cable.

Female connector 95.0007575

For M12 8p CCW connector
10 m cable.



* other length available on order